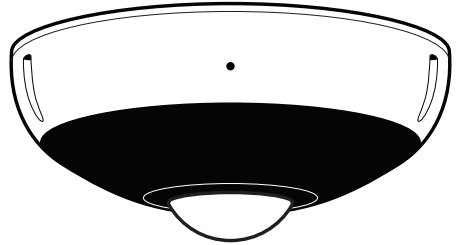


D80 Setup Guide

Contents

In the box	1
What you'll need	3
Connect	5
Mount	7
Secure	13
Support	15

In the box



D80 Camera



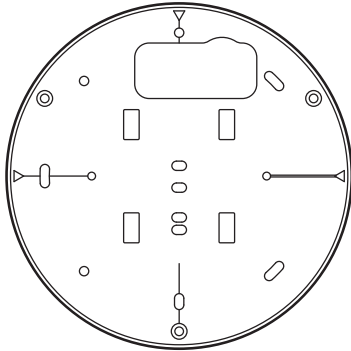
T10 security Torx screwdriver



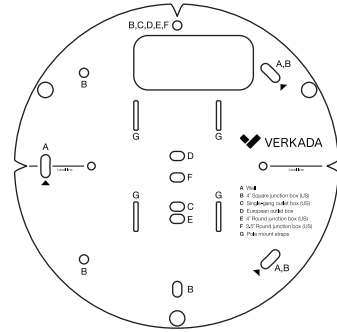
4 screws



4 wall anchors



Mount plate



Mounting template



3 machine screws



3 washers



Desiccant



3 wing nuts



Conduit adapter
(with 2 screws and anchors)

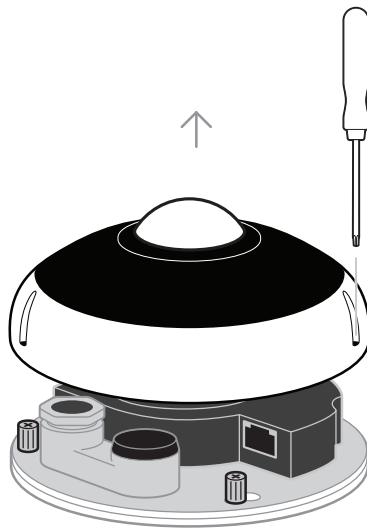


2 pole straps

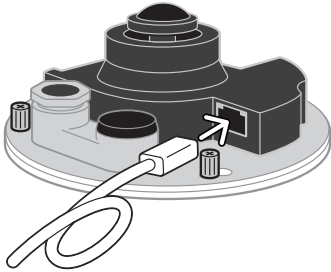
What you'll need

- A working internet connection
- 802.3af Power over Ethernet (PoE) switch, or a PoE injector
- A smartphone or laptop
- A Phillips screwdriver or power drill with a Phillips driver bit
- 1/4-inch (6.5mm) drill bit for wall anchors
- 1/8-inch (3mm) drill bit for pilot holes
- 3/16-inch (4.5mm) drill bit for machine screws

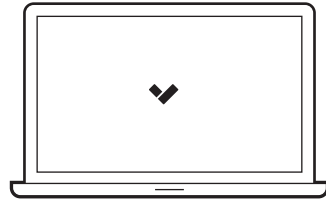
Connect



Use the provided T10 Torx security screwdriver to loosen the screws and lift the case off the camera.

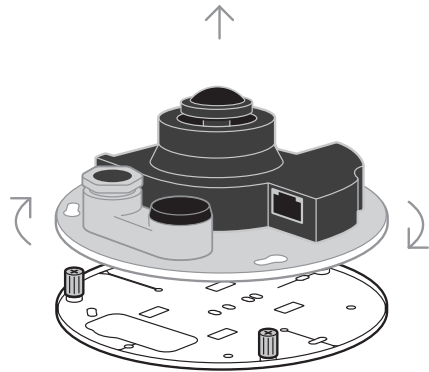


Connect the camera to an 802.3af Power over Ethernet port on your network. An orange LED on the camera's ethernet port will indicate that it is powered and booting up. A green LED on the ethernet port will indicate the camera is active.

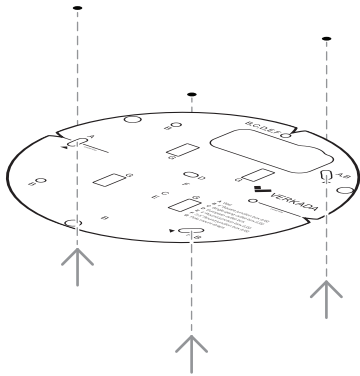


Go to www.verkada.com/start

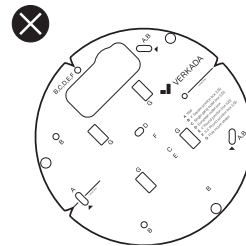
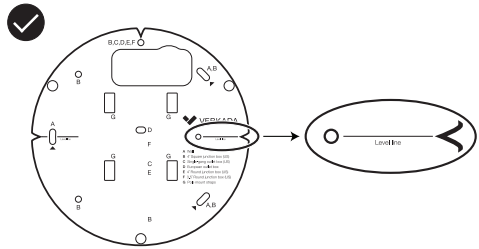
Mount



Using a Phillips screwdriver, loosen the mount plate screws. Twist clockwise and lift the camera off the mount plate.



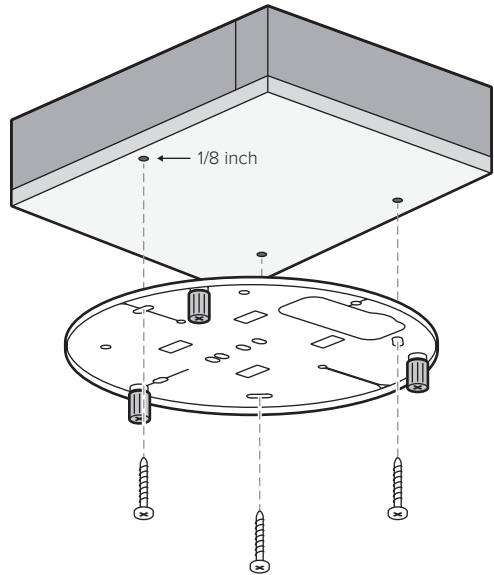
Use the mounting template to mark wall mount holes. For junction box or accessory mounting, use the mounting template to determine the correct hole pattern.



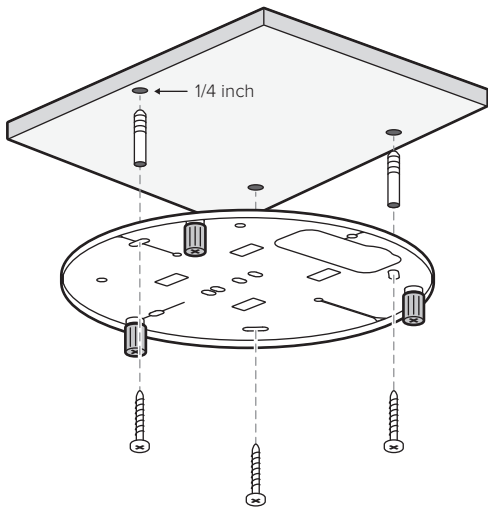
To ensure proper image orientation, be sure to align the mounting template's level lines either horizontally or vertically. Do not mount camera with the level lines at an angle.

Mount

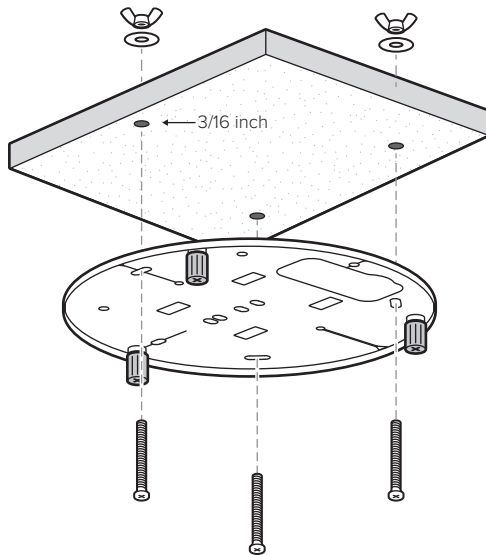
continued



For a solid material like wood or metal, drill 1/8-inch pilot holes. Drive mounting screws directly into the pilot holes.



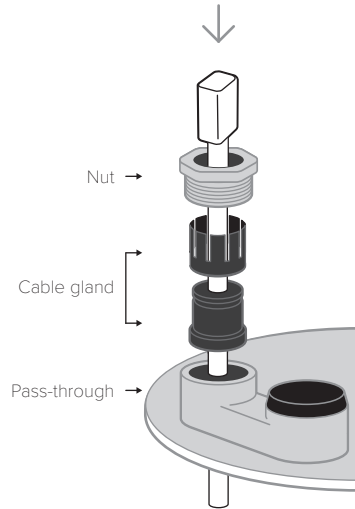
For drywall, drill 1/4-inch holes. Insert plastic anchors into holes and drive mounting screws into anchors.



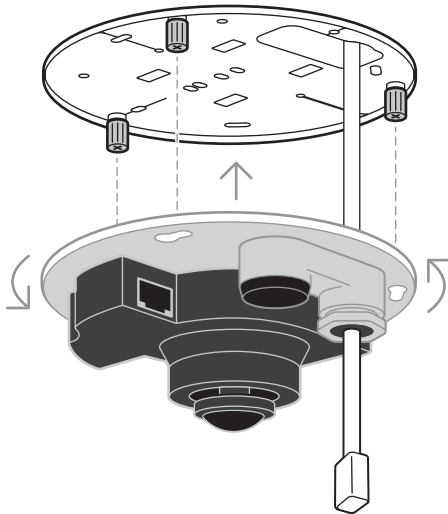
For a drop ceiling, drill 3/16-inch holes through the ceiling tile and insert machine screws. Behind the ceiling tile, place washers and wing nuts on each screw and hand tighten.

Mount

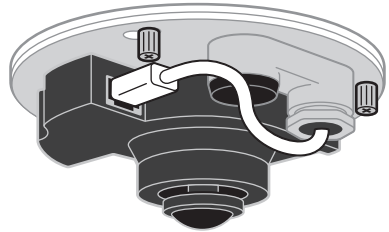
continued



Disassemble the cable access port in the camera base plate. Feed the ethernet cable up through the baseplate and thread through the port components as shown. Reassemble the cable access port and tighten snugly.

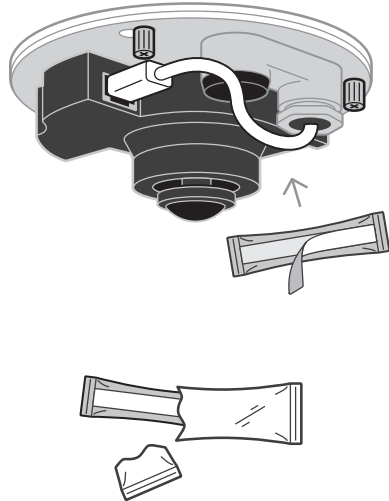


To secure the camera, place it over the mount plate screws and twist counter-clockwise. Tighten the mount plate screws with a Phillips screwdriver.

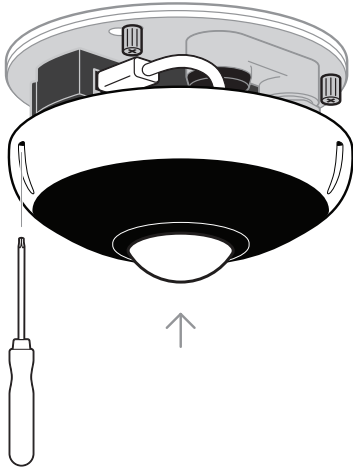


Plug in the camera. An orange LED on the camera's ethernet port will indicate that it is powered and booting up. A green LED on the ethernet port will indicate the camera is active.

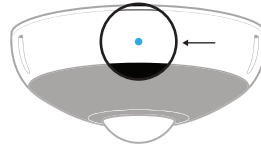
Secure



Open outer desiccant bag, take out desiccant pack and peel to expose the adhesive. Adhere desiccant to the camera body at the “Attach Desiccant Here” label. Be sure it does not obscure the camera.



Replace the camera cover and secure it using the provided T10 Torx security screwdriver.



Status LED



Solid orange

Camera is on and booting up



Flashing orange

Camera is updating firmware



Flashing blue

Camera is recording, but cannot reach the server



Solid blue

Camera is running, connected, and streaming video

Support

Thank you for purchasing a Verkada camera.

If for any reason things don't work right or you need assistance, please contact us immediately.

Sincerely -
The Verkada Team

www.verkada.com/support

www.verkada.com/support