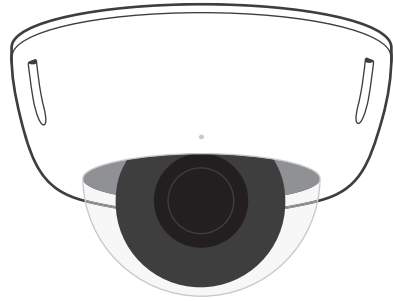


D50 Setup Guide

Contents

In the box	1
What you'll need	3
Connect	5
Mount	7
Adjust	15
Secure	17
Support	19

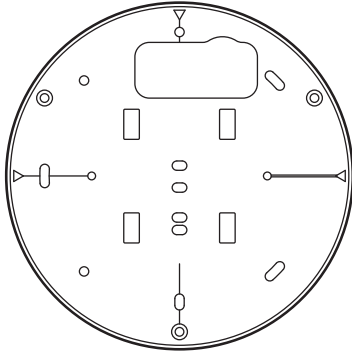
In the box



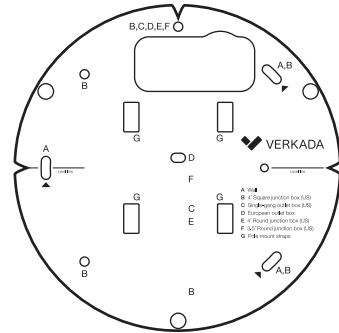
D50 Camera



T10 security Torx screwdriver



Mount plate



Mounting template



4 screws



4 wall anchors



Desiccant



Conduit adapter
(with 2 screws and anchors)

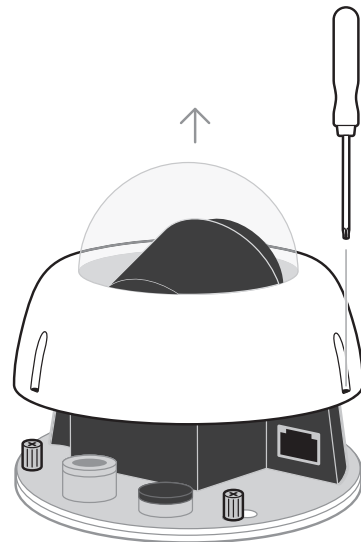


2 pole straps

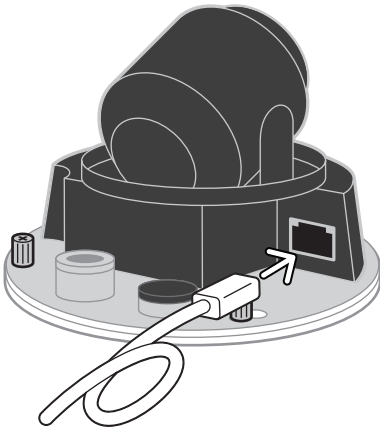
What you'll need

- A working internet connection
- 802.3af Power over Ethernet (PoE) switch, or a PoE injector. For operation below -20° C, use 802.3at PoE.
- A smartphone or laptop
- A Phillips screwdriver or power drill with a Phillips driver bit
- 1/4-inch (6.5mm) drill bit for wall anchors
- 1/8-inch (3mm) drill bit for pilot holes

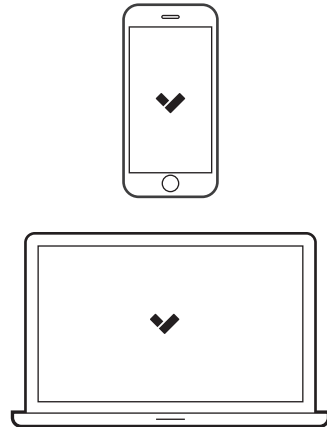
Connect



Use the provided T10 Torx security screwdriver to loosen the screws and lift the case off the camera.

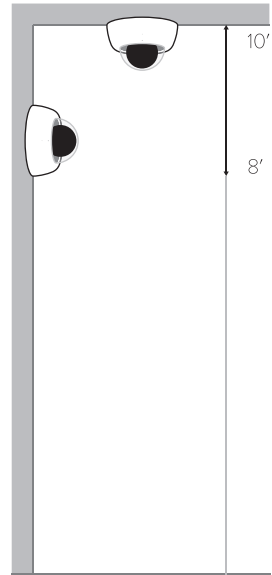


Connect the camera to an 802.3af Power over Ethernet port on your network. An orange LED on the camera will indicate that it is powered and booting up. The LED will turn blue to indicate the camera is active.

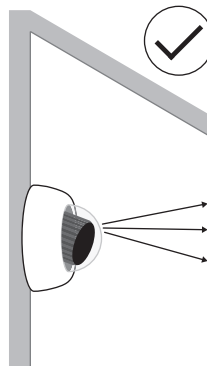
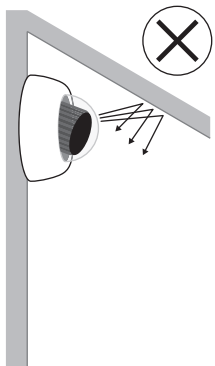


Go to www.verkada.com/start

Mount



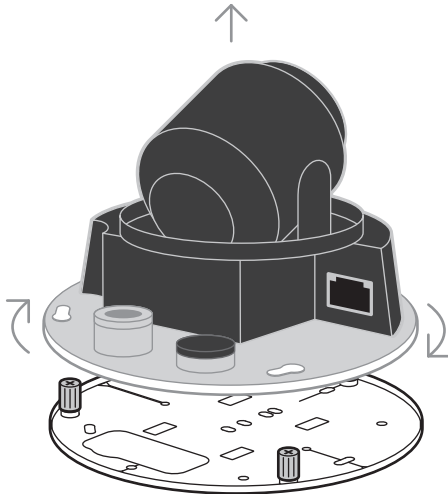
Mount the camera on a wall or ceiling. Try to keep the camera 8 to 10 feet above the ground.



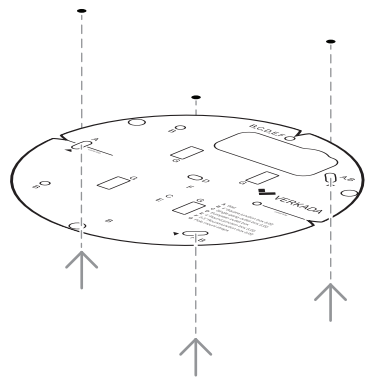
For best night vision, avoid overhangs or obstructions. These may reflect the camera's IR illumination and reduce the image clarity in night mode.

Mount

continued



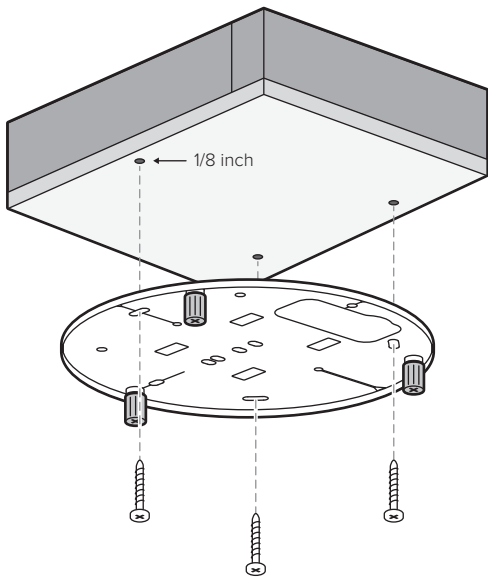
Using a Phillips screwdriver, loosen the mount plate screws. Twist clockwise and lift the camera off the mount plate.



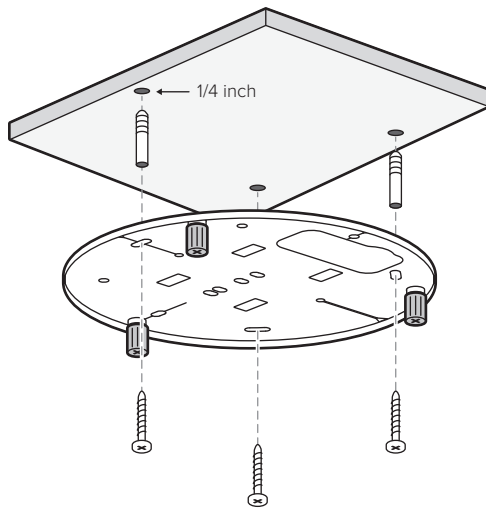
Use the mounting template to mark wall mount holes. For a junction box mount, use the mounting template to determine the correct hole pattern.

Mount

continued



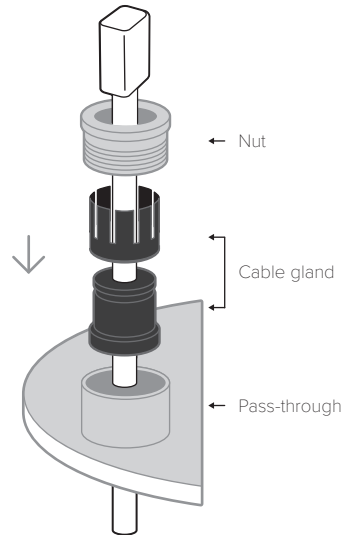
For a solid material like wood or metal, drill 1/8-inch pilot holes. Drive mounting screws directly into the pilot holes.



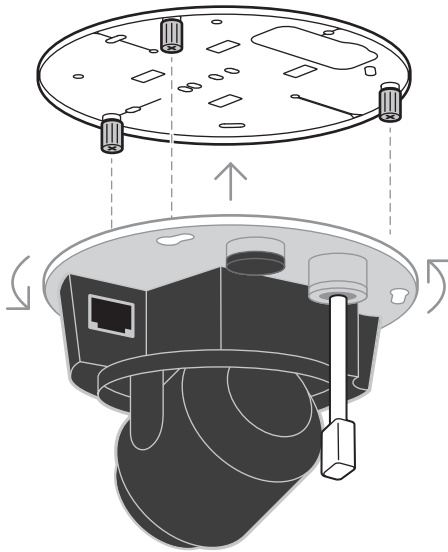
For drywall, drill 1/4-inch holes. Insert plastic anchors into holes and drive mounting screws into anchors.

Mount

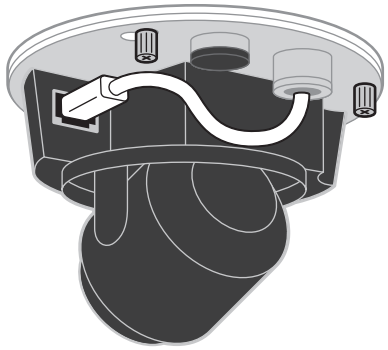
continued



Take apart the cable pass-through in the camera base plate. Feed the ethernet cable up through the baseplate and thread it through the cable gland and nut. Reassemble and tighten the nut snugly.

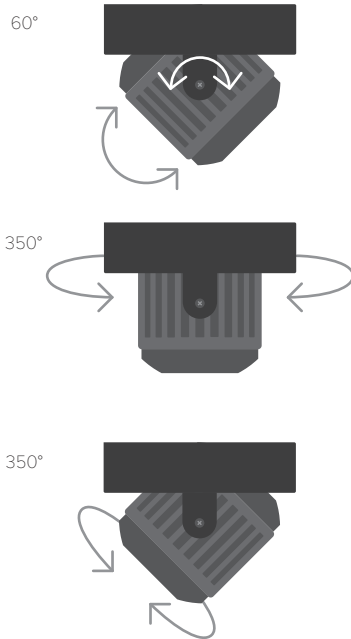


To secure the camera, place it over the mount plate screws and twist counter-clockwise. Tighten the mount plate screws with a Phillips screwdriver.

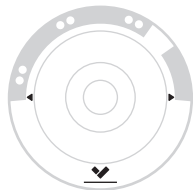


Plug in the camera. The status LED will turn orange to indicate the camera has power. The LED will turn blue to indicate the camera is active.

Adjust



Adjust your camera to the desired viewing angle.



Lens Face

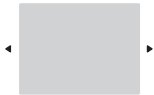
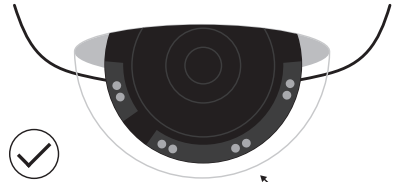
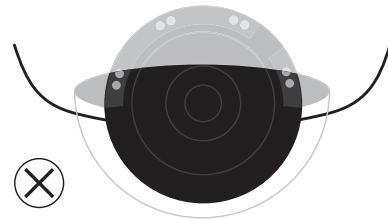


Image Orientation



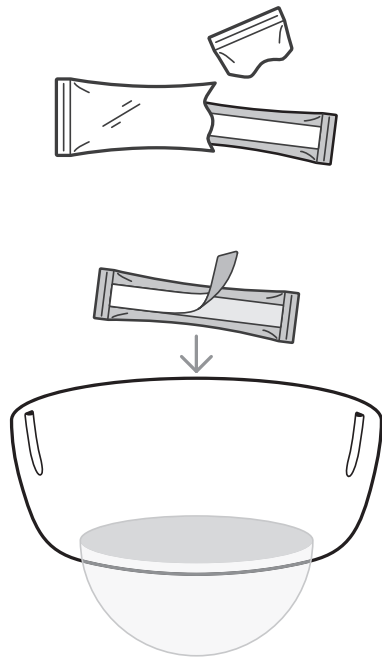
IR Illuminators



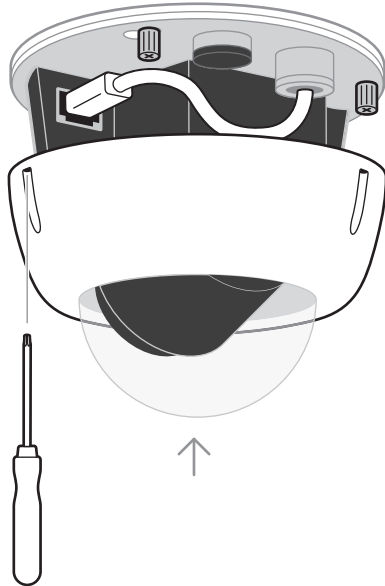
Default image orientation is indicated by markings on the lens face. Video orientation is also adjustable from within the Verkada application.

For best night vision, rotate the camera lens to ensure the IR illuminators are not obstructed by the camera case.

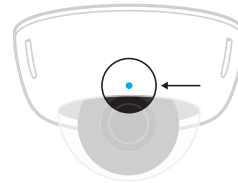
Secure



Open and remove the desiccant pack from its outer pouch. Peel the backing from the double-sided tape on the desiccant pack. Place the pack above the “Attach Desiccant Here” label inside the camera case.



Replace the camera cover and secure it using the provided T10 Torx security screwdriver.



Status LED



Solid orange

Camera is on and booting up



Flashing orange

Camera is updating firmware



Flashing blue

Camera is recording, but cannot reach the server



Solid blue

Camera is running, connected,

Support

Thank you for purchasing a Verkada camera.

If for any reason things don't work right or you need assistance, please contact us immediately.

Sincerely -
The Verkada Team

www.verkada.com/support

www.verkada.com/support