

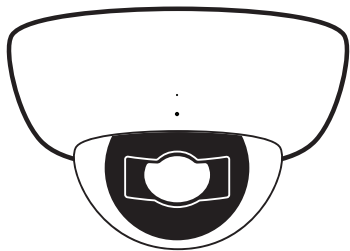
# D40 Setup Guide



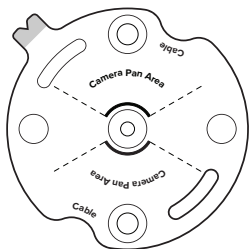
# Contents

In the box	1
What you'll need	3
Connect	5
Mount	7
Secure	17
Support	19

In the box



D40 Camera



Mount plate



3 screws



3 wall anchors



2 machine screws



2 washers

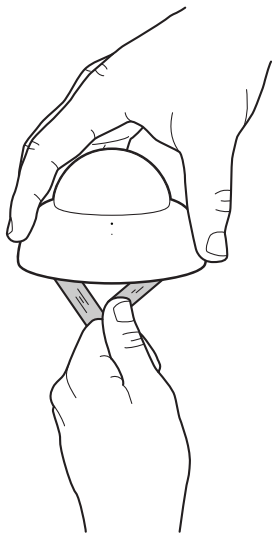


2 wing nuts

What you'll need

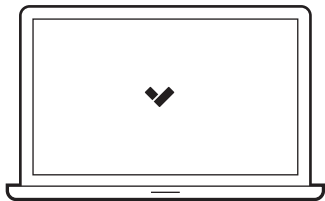
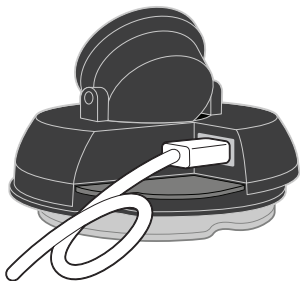
- A working internet connection
- 802.3af Power over Ethernet (PoE) switch, or a PoE injector
- A smartphone or laptop
- A Phillips screwdriver or power drill with a Phillips driver bit
- 1/4-inch (6.5mm) drill bit for wall anchors
- 1/8-inch (3mm) drill bit for pilot holes
- 3/16-inch (4.5mm) drill bit for machine screws

# Connect



Grasp the plastic mount plate strap and pull the cover off of the camera.

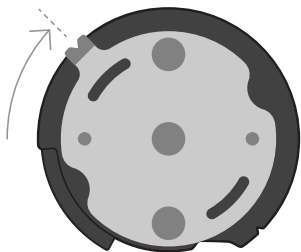




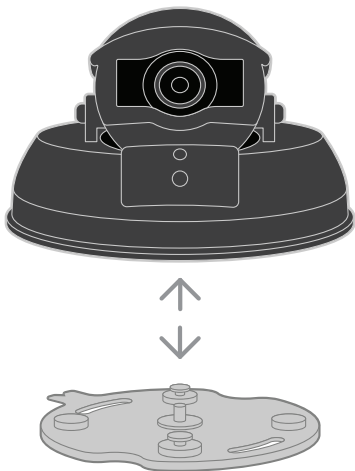
Connect the camera to an 802.3af Power over Ethernet port on your network. An orange LED on the camera's ethernet port will indicate that it is powered and booting up. A green LED on the ethernet port will indicate the camera is active.

Go to [www.verkada.com/start](http://www.verkada.com/start)

Mount



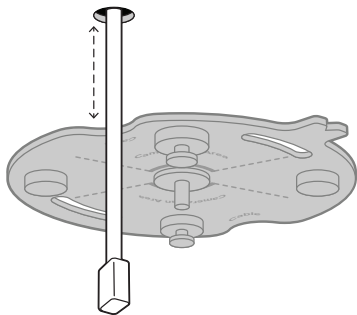
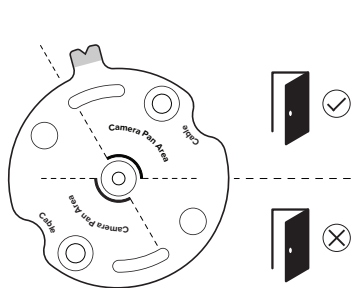
On the bottom of the camera, rotate the mount plate clock-wise until it stops and is lined up with its corresponding blue colored notch on the camera base.



Firmly pull and separate the mount plate from the camera base. Remove and discard the plastic mount plate strap.

# Mount

continued

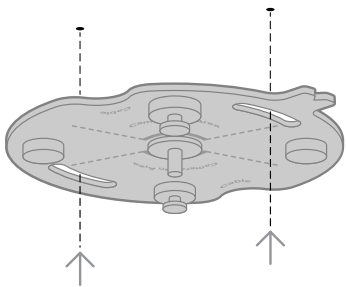


When placing the mount plate, take care to orient it such that your camera's target is situated within the "Camera Pan Angle".

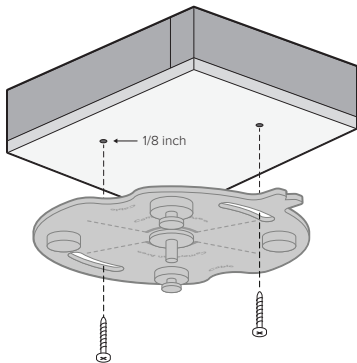
If your cable is routed through a hole in the mounting surface, position one of the mount plate's notches labeled "Cable" as close to the cable hole as possible.

# Mount

continued



Use the mount plate to mark holes for mounting screws.

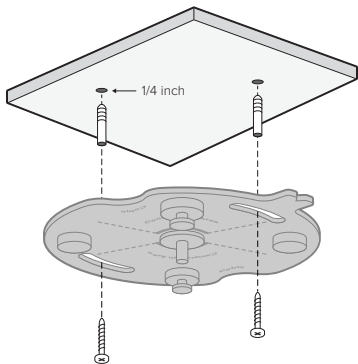


For a solid material like wood or metal, drill 1/8-inch pilot holes. Drive mounting screws directly into the pilot holes.

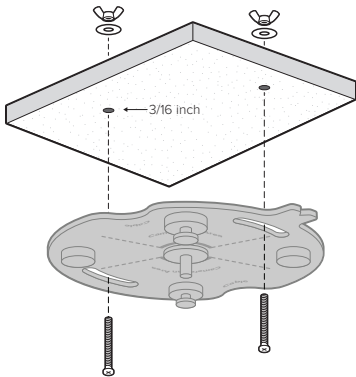
# Mount

continued





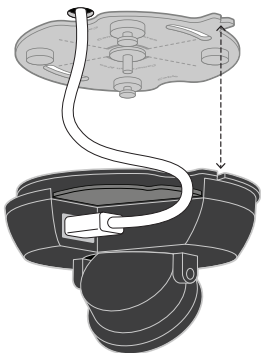
For drywall, drill 1/4-inch holes. Insert plastic anchors into holes and drive mounting screws into anchors.



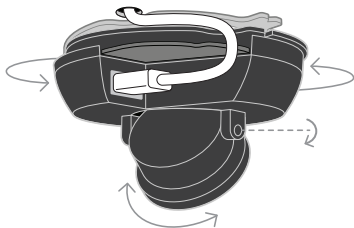
For a drop ceiling, drill 3/16-inch holes through the ceiling tile and insert machine screws. Behind the ceiling tile, place washers and wing nuts on each screw and hand tighten.

# Mount

continued

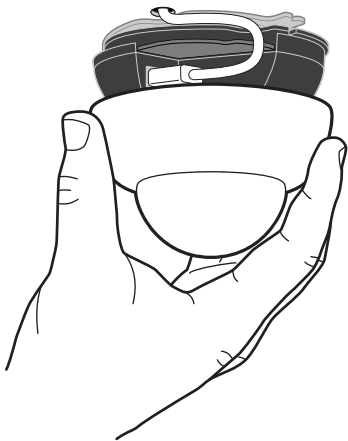


Plug in the camera. Line up the blue notches on the mount plate and the camera body and place the camera over the center pin on the mount plate.

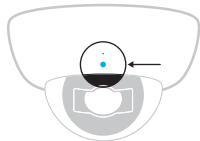


With the camera on the mount plate, rotate the entire camera body on the mount plate to adjust the pan angle. Tilt and rotate just the camera lens for further adjustment.

Secure



Route the cable snugly between the camera base and the mount plate. Place the cover on the camera. Be sure the magnets have pulled the cover flush against the mounting surface.



### Status LED



#### **Solid orange**

Camera is on and booting up



#### **Flashing orange**

Camera is updating firmware



#### **Flashing blue**

Camera is recording, but cannot reach the server



#### **Solid blue**

Camera is running, connected, and streaming video

# Support

Thank you for purchasing a Verkada camera.

If for any reason things don't work right or you need assistance, please contact us immediately.

Sincerely -  
**The Verkada Team**



[www.verkada.com/support](http://www.verkada.com/support)