



Verkada Accessories

Mounts for AF64 Access Station Pro

Table of Contents

Every AF64 comes with a surface mount for flush mounting on a wall or junction box. The following mounts are additionally available for purchase.

- 3 ACC-AF-UP-1 | AF64 Up Angle Mount
- 4 ACC-AF-SIDE-1 | AF64 Side Angle Mount
- 5 ACC-AF-MUL-1 | AF64 Mullion Mount



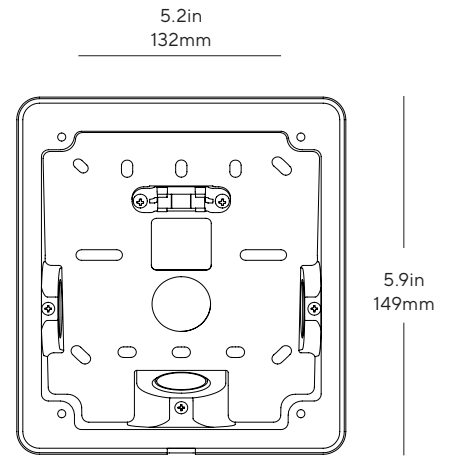
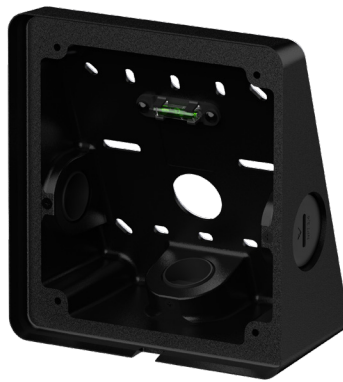


ACC-AF-UP-1 AF64 Up Angle Mount

20° up angle mount recommended for lower mounting heights (44-48" to top of device)

Compatible with Mounts:

ACC-AF-MUL-1



Tech Specs

Mount Dimensions	132 mm x 149 mm x 73 mm 5.2 in x 5.9 in x 2.9 in	Mount Weight	0.8 kg
Material	ADC12	Color	Black
Mount Angle	20 degrees	Pricing	\$199



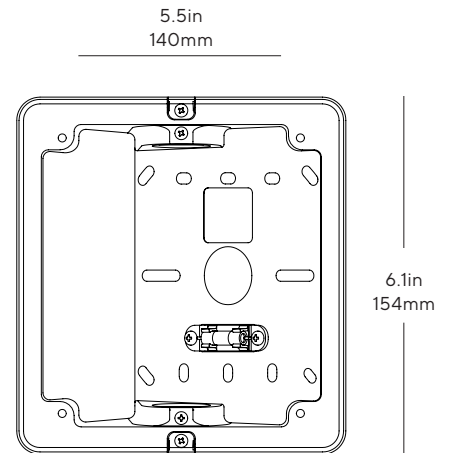
ACC-AF-SIDE-1

AF64 Side Angle Mount

35° reversible side angle mount for aligning field of view with approach path.

Compatible with Mounts:

ACC-AF-MUL-1



Tech Specs

Mount Dimensions	140 mm x 154 mm x 79 mm 5.5 in x 6.1 in x 3.1 in	Mount Weight	0.54 kg
Material	ADC12	Color	Black
Mount Angle	35 degrees	Pricing	\$199

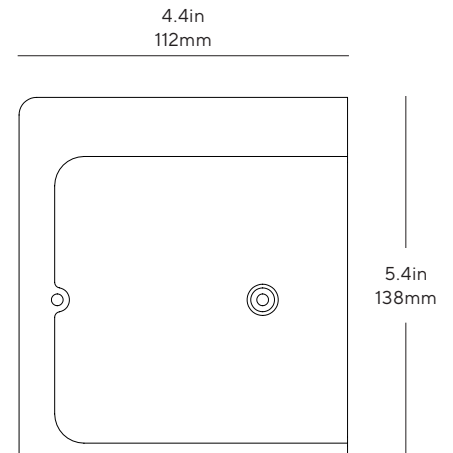


ACC-AF-MUL-1 AF64 Mullion Mount

Supports installation on either side of a mullion door frame.

Compatible with Mounts:

ACC-AF-UP-1, ACC-AF-SIDE-1



Tech Specs

Mount Dimensions	112 mm x 138 mm x 30 mm 4.4 in x 5.4 in x 1.2 in	Mount Weight	0.2 kg
Material	ADC12	Color	Black
Pricing	\$199		