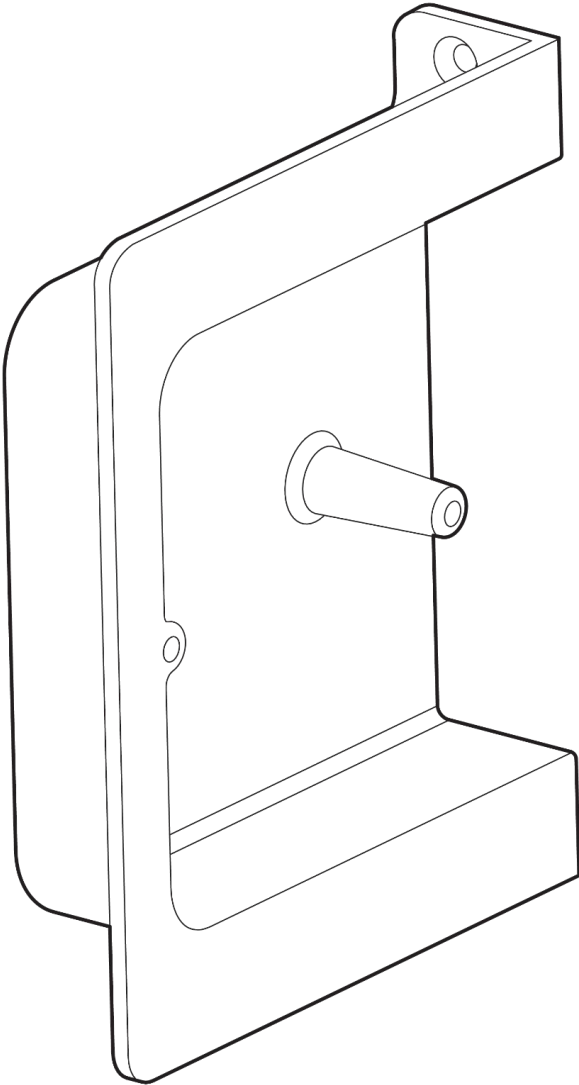


ACC-AF-MUL-1 Mullion Adapter for AF64



Document

Document Details

Version

V1.0 20260320

(V1.0 published 20260320)

Firmware

Firmware version can be verified on Verkada

Command command.verkada.com.

Product Models

This install guide pertains to models:

- ACC-AF-MUL-1
- ACC-AF-SIDE-1
- ACC-AF-UP-1

© Copyright 2026 Verkada Inc. All rights reserved.

Verkada and the Verkada logo are registered trademarks or service marks of Verkada Inc. (“Verkada”). All other trademarks are the property of their respective owners.

Verkada may make changes to this document at any time without notice. The information presented herein may be inaccurate or outdated, and Verkada is under no obligation to maintain it. ALL INFORMATION IS PROVIDED “AS-IS” AND WITHOUT ANY WARRANTIES, IMPLIED, EXPRESS, OR OTHERWISE. VERKADA DISCLAIMS LIABILITY FOR ALL DAMAGES, INCLUDING WITHOUT LIMITATION ANY DIRECT, INDIRECT, SPECIAL, INCIDENTAL, PUNITIVE, OR CONSEQUENTIAL DAMAGES, ARISING OUT OF USE OF THIS DOCUMENT.

Any intellectual property rights relating to Verkada products are and shall remain Verkada’s exclusive property. Use of any Verkada product is subject to Verkada’s end user agreement or other executed agreement with Verkada. No license, either expressed or implied, to use or distribute any Verkada product is granted under this document.

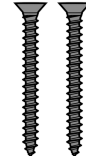
This document may not be sold, resold, licensed or sublicensed and may not be transferred without Verkada’s prior written consent. No part of this document may be reproduced in whole or in part without the express written consent of Verkada.



What's in the Box

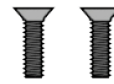


Mullion Mount



Self Tapping Metal Wall Screws (2 pcs)

Length: 1.5" Drive: #2 Phillips



#8-32 Machine Screws (2 pcs)

Length: 0.5" Drive: #2 Phillips

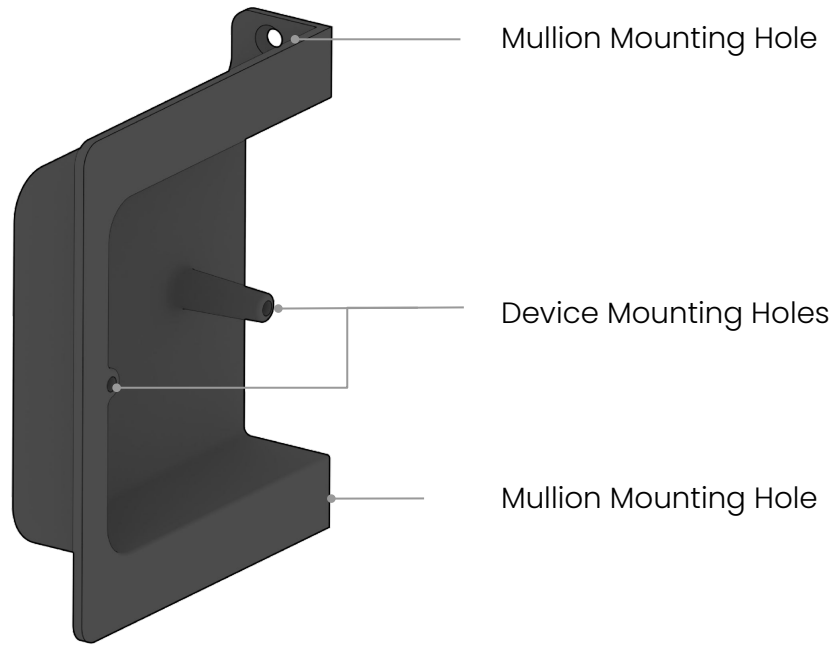
What you'll need

- An AF64 Access Station Pro
- A #2 Phillips screwdriver or power drill with a #2 Phillips driver bit
- 1/8 inch (3mm) drill bit for pilot holes
- 7/8 inch (22mm) drill bit for pigtail pass throughs
- A Cat5 or Cat6 Ethernet cable with a 0.2-0.25 inch diameter (5-6.5mm)

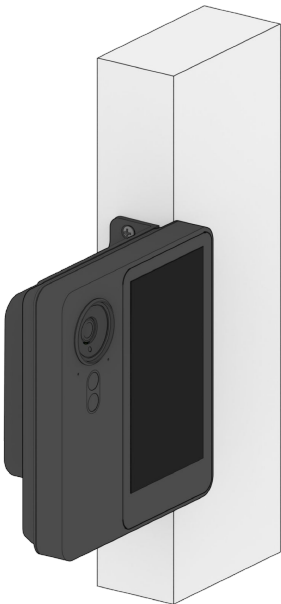
Compatible Products

- AF64 Access Station Pro
- ACC-AF-SIDE-1
- ACC-AF-UP-1

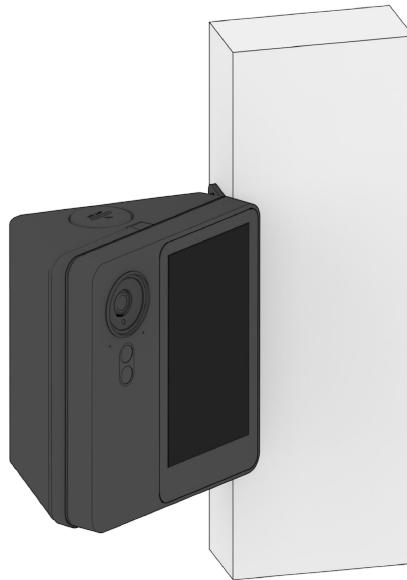
Overview



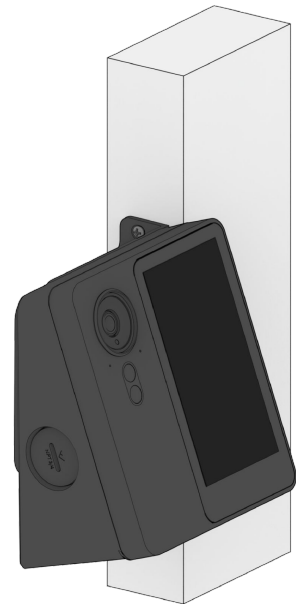
Mounting Options



ACC-AF-MUL-1



ACC-AF-MUL-1 with
ACC-AF-SIDE-1



ACC-AF-MUL-1 with
ACC-AF-UP-1

Technical Specifications

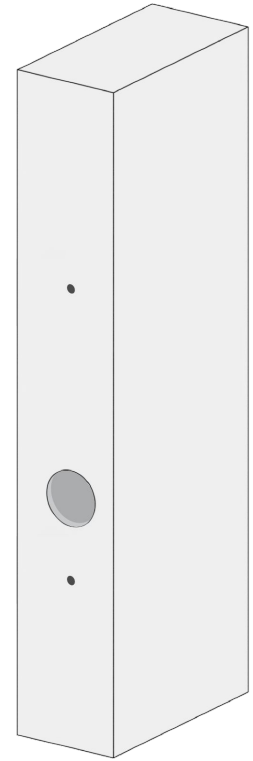
Mount Dimensions	112 mm x 138 mm x 30 mm 4.4 in x 5.4 in x 1.2 in
Mount Weight	0.2 kg
Material	ADC12
Color	Black

Installation

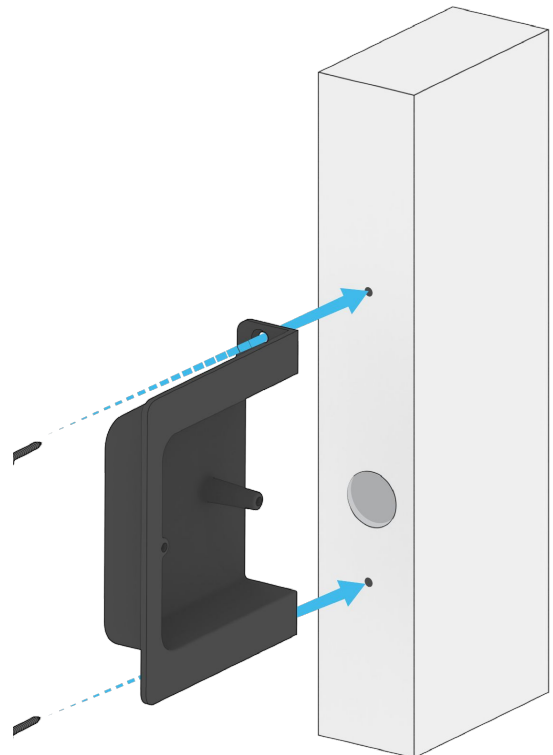
Mullion Mounting 1/3

Align the Mullion Mount with the edge of the mullion and mark the two mounting hole locations. Drill pilot holes using a $\frac{1}{8}$ " drill bit.

Mark and drill a $\frac{7}{8}$ " pigtail pass-through hole.



Secure the Mullion Mount using the two Metal Screws.



Installation

Mullion Mounting 2/3

Route the Ethernet cable through the pass-through hole, ensuring it runs beneath the standoffs. If using the AF64 I/O Cable, route it through the same opening.

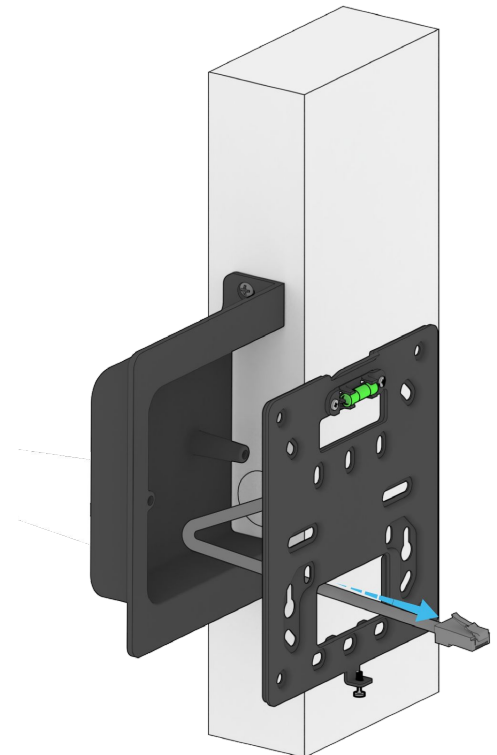
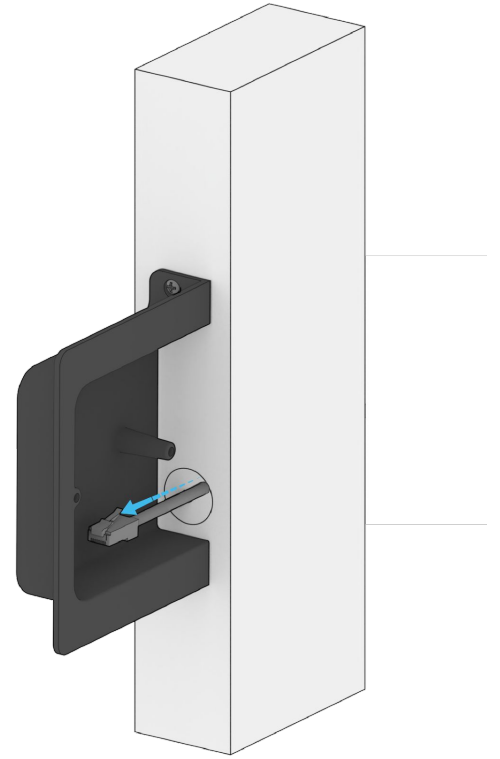
If using the AF64 Side Angle Mount (ACC-AF-SIDE-1), proceed to the *Mounting with Side Angle Mount* section.

If using the AF64 Up Angle Mount (ACC-AF-UP-1), proceed to the *Mounting with Up Angle Mount* section.

If mounting the AF64 Access Station Pro directly to the AF64 Mullion Mount (ACC-AF-MUL-1), continue with this section.

Remove the Mount Plate from the AF64.

Route the Ethernet cable through the Mount Plate. If using the I/O Cable, route it through the same opening.



Installation

Mullion Mounting 3/3

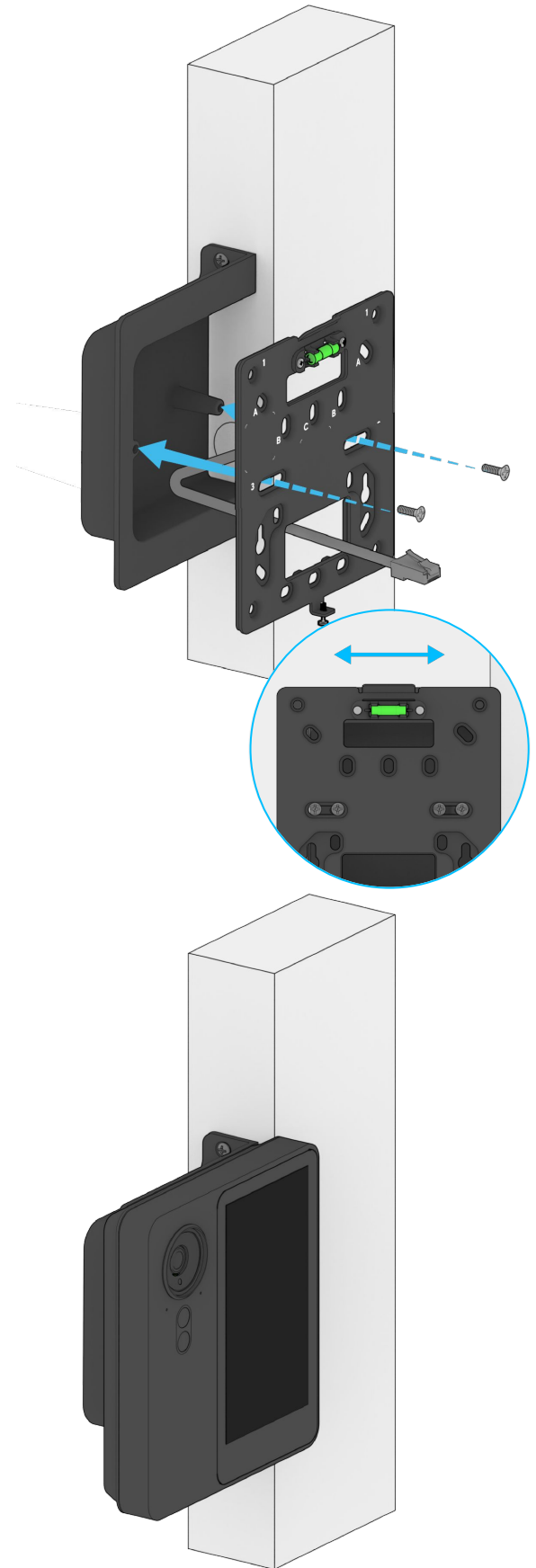
Attach the Mount Plate using two #8-32 Machine Screws through Hole Pattern 3.

Slide the Mount Plate along the slotted holes until the wires are concealed and the edges are aligned with the mullion.

Ensure all wiring is hidden behind the Mount Plate.

Fully tighten the screws to secure the mount.

Complete the installation by following the [AF64 Access Station Pro Install Guide](#).

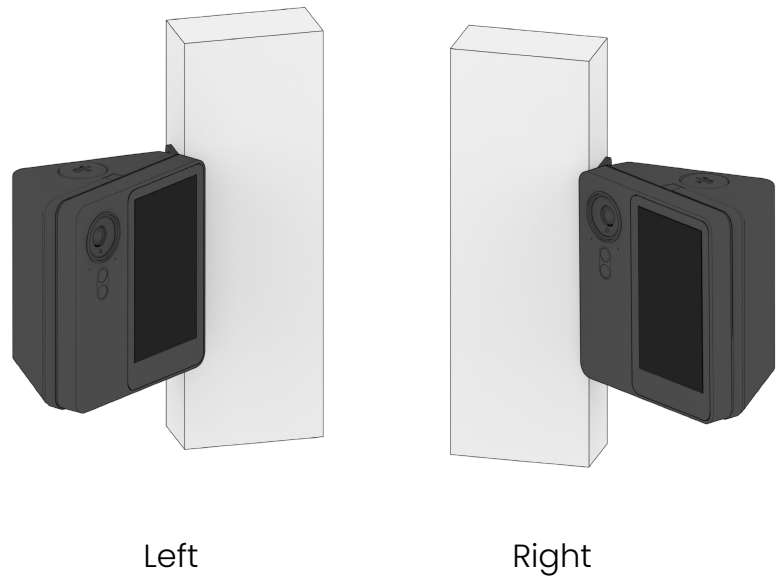


Installation

Mullion Mounting with Side Angle Mount 1/3



Before installation, determine whether the AF64 will be angled to the left or right.



Installation

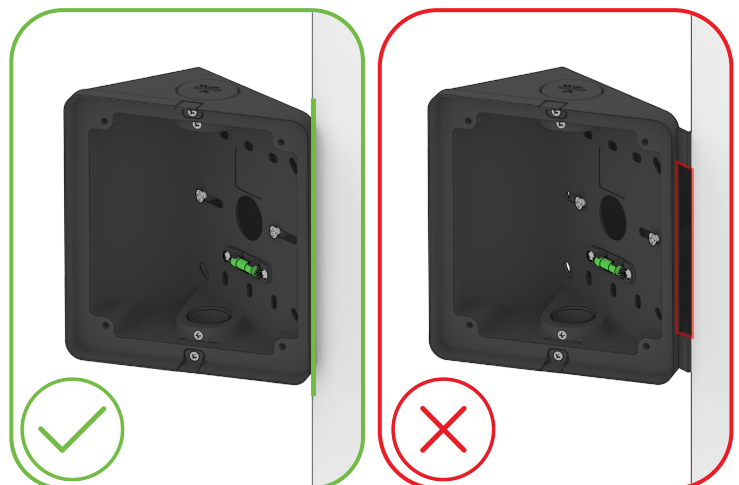
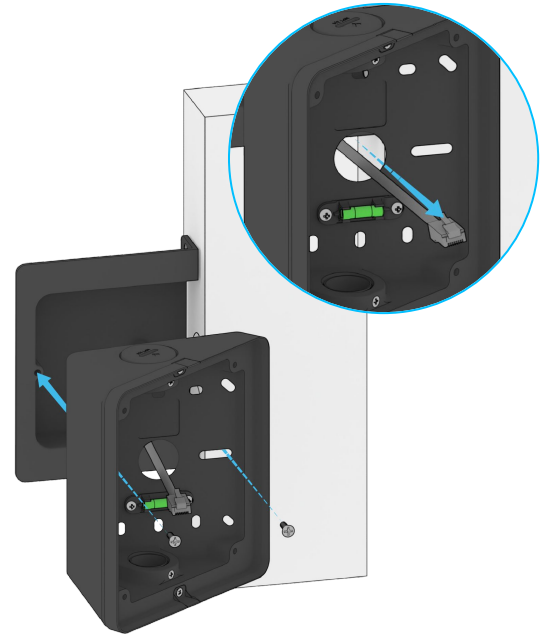
Mullion Mounting with Side Angle Mount 2/3

Route the Ethernet cable through the pass-through hole and into the Side Angle Mount. If using the I/O Cable, route it through the same opening.

Attach the Side Angle Mount using two #8-32 Machine Screws through Hole Pattern 3.

Slide the Side Angle Mount along the slotted holes until the wires are concealed and the edges are aligned with the mullion.

Ensure all wiring is hidden behind the Side Angle Mount, and ensure the mount is level.



Installation

Mullion Mounting with Side Angle Mount 3/4

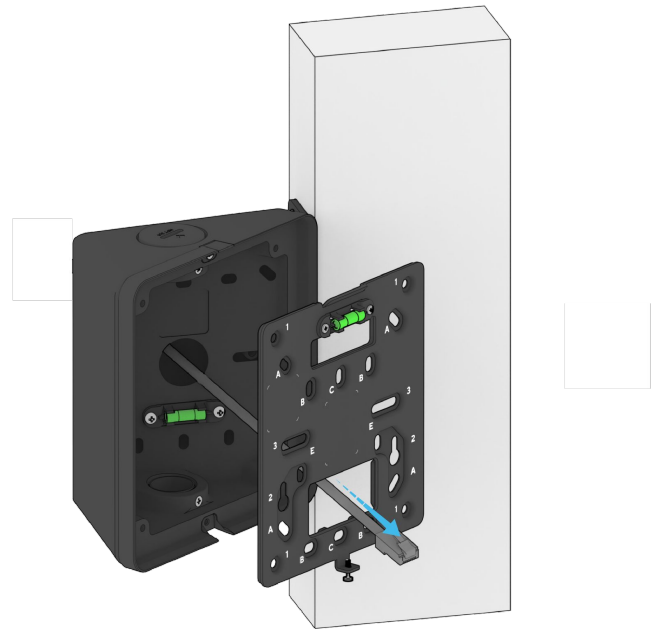
Fully tighten the screws to secure the Side Angle Mount.

Remove the bottom security screw cover from the mount. Ensure the top security screw cover remains in place.



Remove the Mount Plate from the AF64.

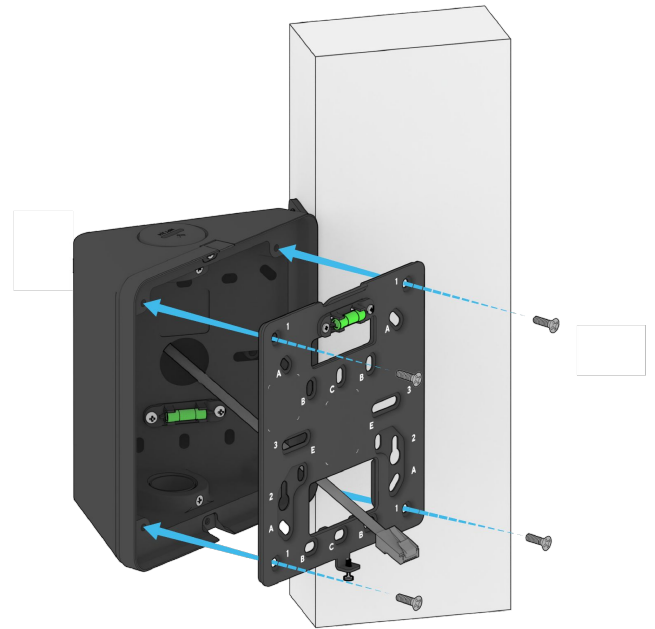
Route the Ethernet cable through the Mount Plate. If using the I/O Cable, route it through the same opening.



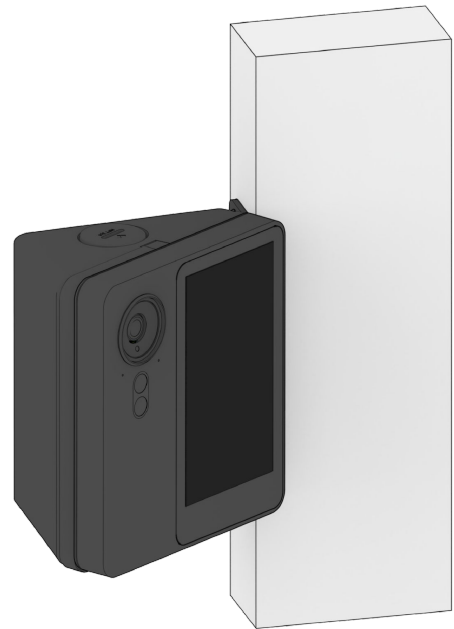
Installation

Mullion Mounting with Side Angle Mount 4/4

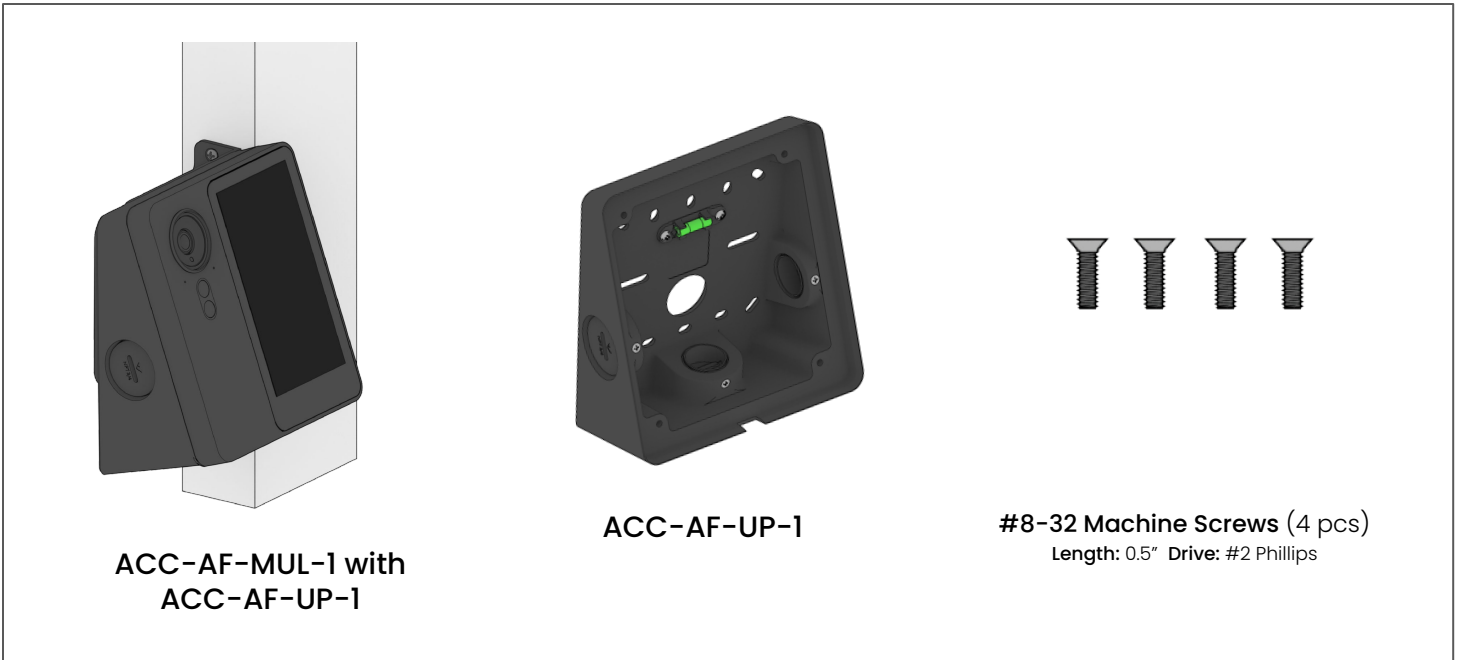
Align the Mount Plate with Hole Pattern 1, then secure it using four #8-32 Machine Screws.



Complete the installation by following the [AF64 Access Station Pro Install Guide](#).

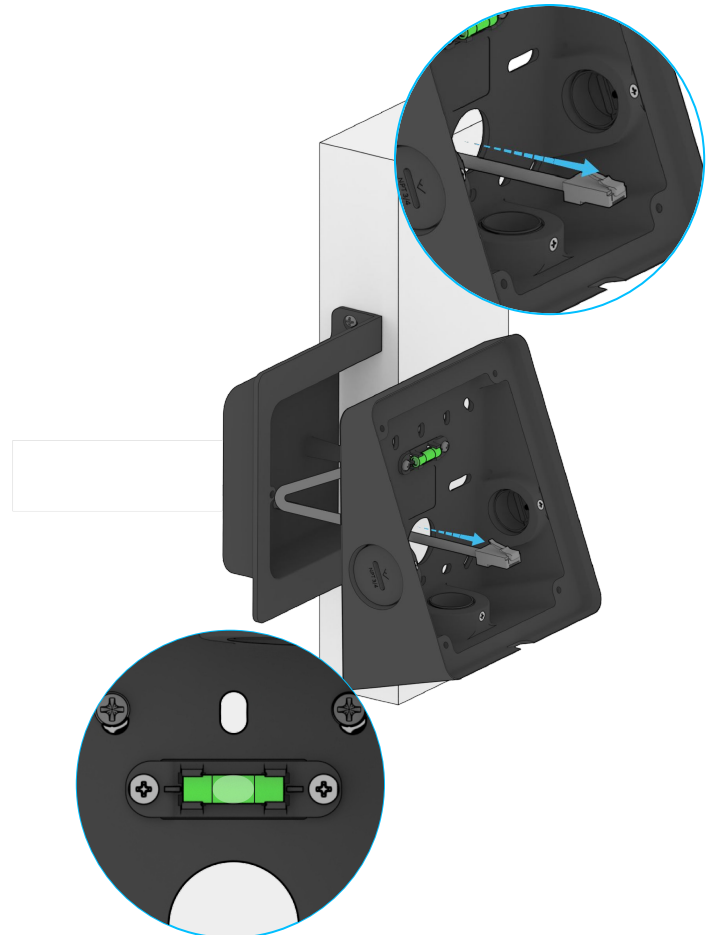


Mullion Mounting with Up Angle Mount 1/3



Route the Ethernet cable through the pass-through hole and into the Up Angle mount. If using the I/O Cable, route it through the same opening.

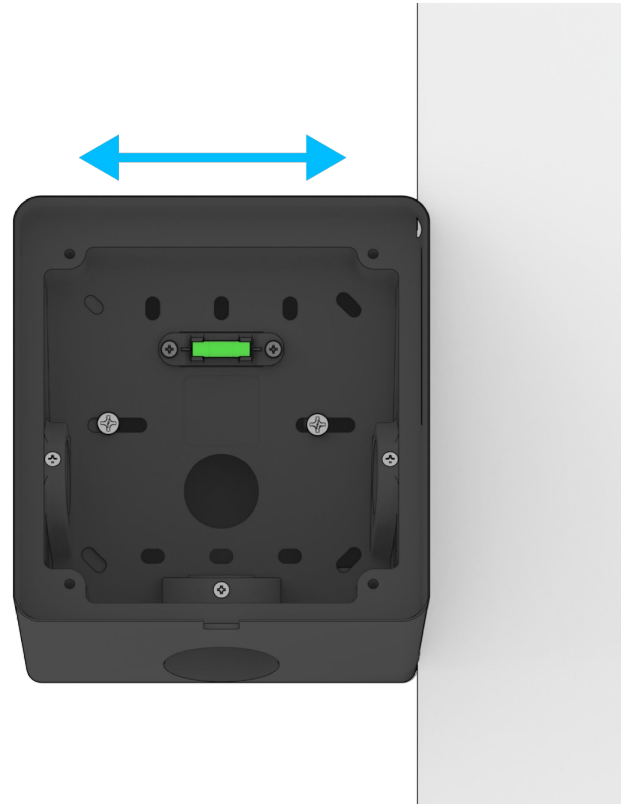
Attach the Up Angle Mount (ACC-AF-UP-1) using two #8-32 Machine Screws through Hole Pattern 3.



Installation

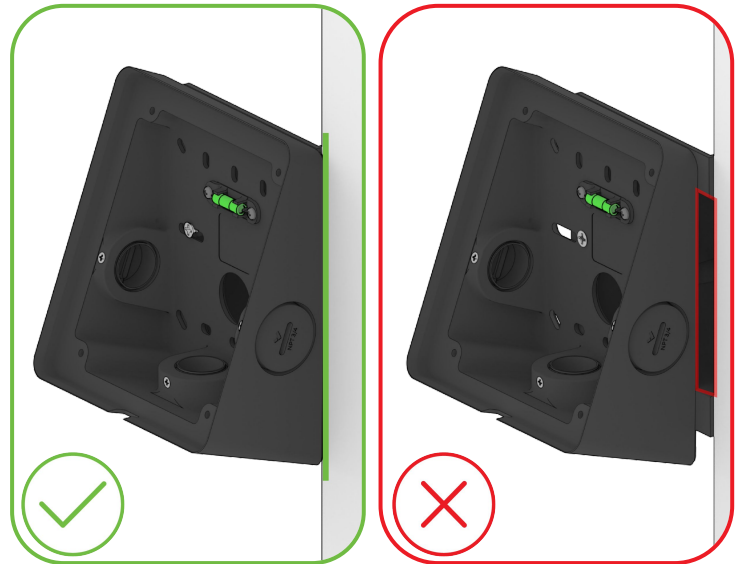
Mullion Mounting with Up Angle Mount 2/3

Slide the Up Angle Mount along the slotted holes until the wires are concealed and the edges are aligned with the mullion.



Ensure all wiring is hidden behind the device, and ensure the mount is level.

Fully tighten the screws to secure the Up Angle Mount.



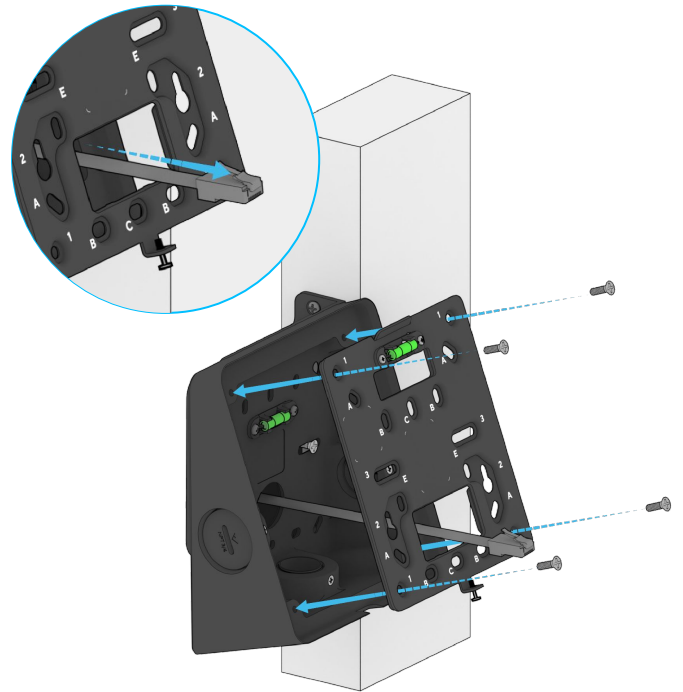
Installation

Mullion Mounting with Up Angle Mount 3/3

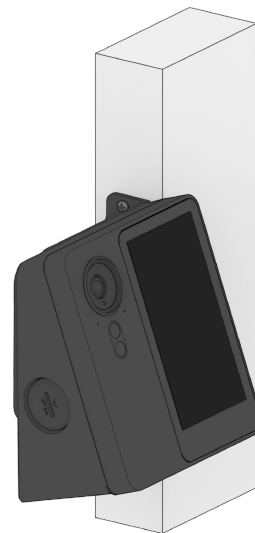
Remove the Mount Plate from the AF64.

Pull the Ethernet cable through the bottom opening of the Mount Plate. If using the I/O Cable, route it through the same opening.

Align the Mount Plate with Hole Pattern 1, then secure it using four #8-32 Machine Screws.



Complete the installation by following the [AF64 Access Station Pro Install Guide](#).



Appendix

Support

Thank you for purchasing this Verkada product. If for any reason you're experiencing issues or need assistance, please contact our 24/7 Technical Support Team immediately.

Sincerely,
The Verkada Team
verkada.com/support

