

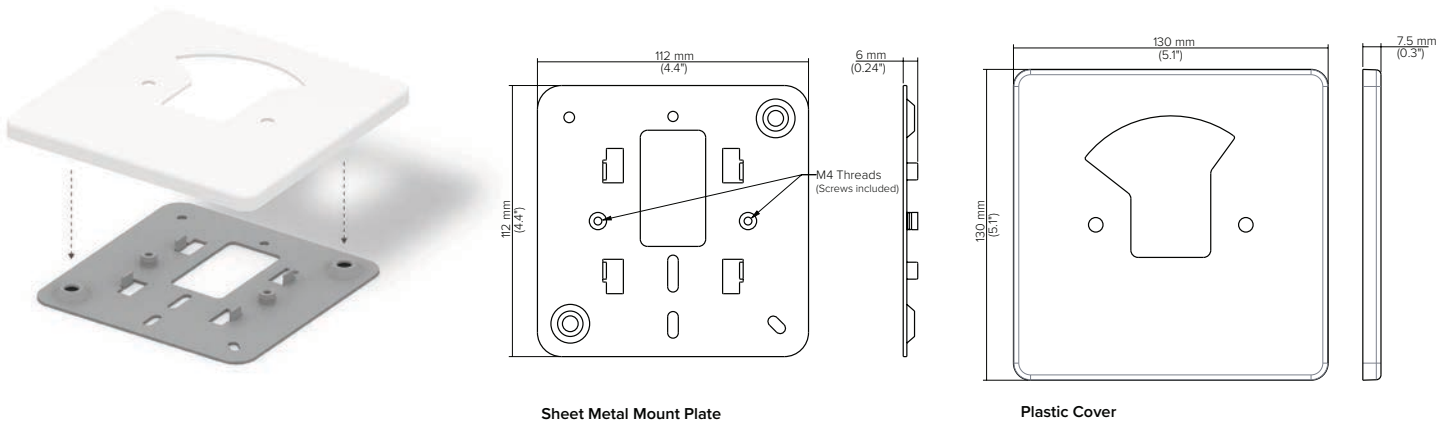


ACC-MNT-6

Mini Camera Junction Box Mount Adapter

For mounting a Mini camera to a standard junction box. Includes a plastic cover for aesthetic appeal.

Compatible with Mini Series



Technical Specifications

Model	ACC-MNT-6	Weight	160g (5.6oz)
Material	Steel Mount Plate, Plastic Cover	Box Dimensions	140x140x18mm (5.5x5.5x0.7")
Dimensions	130x130x7.5mm (5.1x5.1x0.3")	Box Weight	200g (6.7oz)
Color	Grey Mount Plate, White Plastic Cover	Box Includes	Sheet metal mount plate, plastic cover, fasteners

