

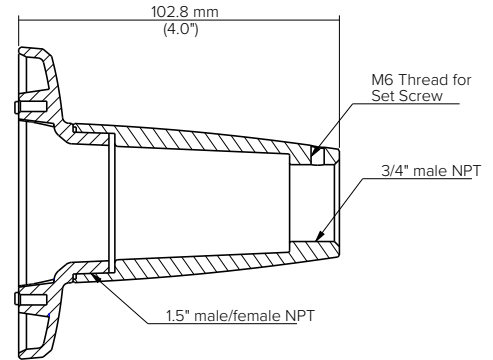
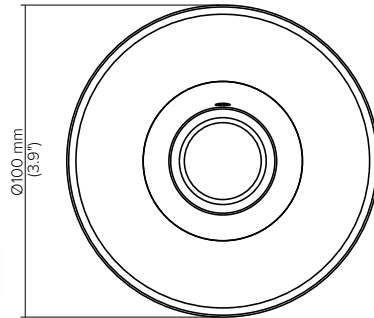


ACC-MNT-5

Mini Pendant Cap Mount Kit

Two-piece threaded cap for mounting a Mini camera to 3/4" NPT threaded drop pipe. Cap piece can be removed and mounted independently with its 1.5" male NPT thread.

Compatible with Mini Series and ACC-MNT-2



Technical Specifications

| | | | |
|------------|--------------------------|----------------|--------------------------------------------------------------------------|
| Model | ACC-MNT-5 | Weight | 240g (8.4oz) |
| Material | Aluminum Alloy | Box Dimensions | 864x864x940mm (34x34x37") |
| Dimensions | Ø100x102.8mm (Ø3.9x4.0") | Box Weight | 312g (11oz) |
| Color | Dark Grey | Box Includes | Two threaded interlocking aluminum parts, fasteners, set screw & hex key |

