

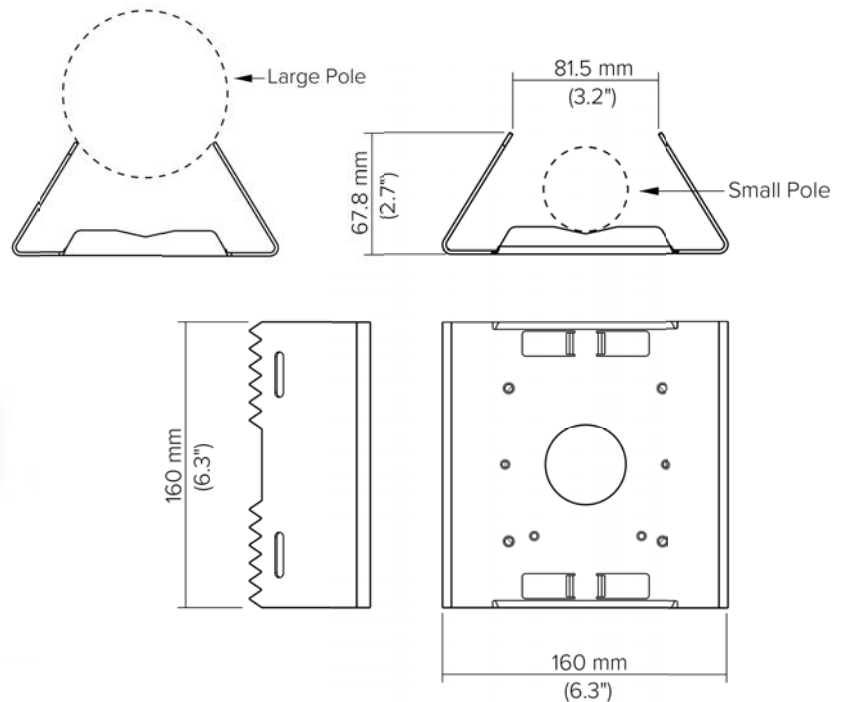
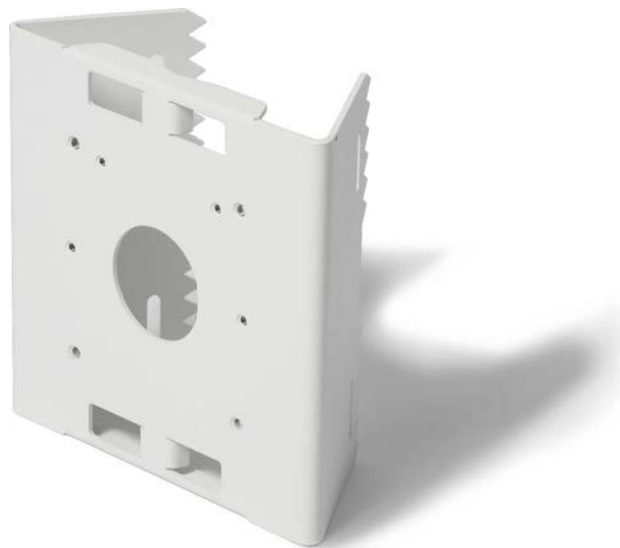


ACC-MNT-4

Pole Mount Adapter Kit

For mounting camera to a circular pole. Suitable for poles up to 152.4mm (6") in diameter. Minimum pole diameter of 1.25" (32mm).

Compatible with ACC-MNT-2 and ACC-MNT-3



Technical Specifications

Model	ACC-MNT-4	Weight	742g (1.64 lbs)
Material	Steel	Box Dimensions	194x135x269mm (7.6x5.3x10.6")
Dimensions	160x160x68mm (6.3x6.3x2.7")	Box Weight	1190g (2.62 lbs)
Color	White	Box Includes	Adapter plate, Metal Straps (2 sets) Fasteners for compatible mounts

