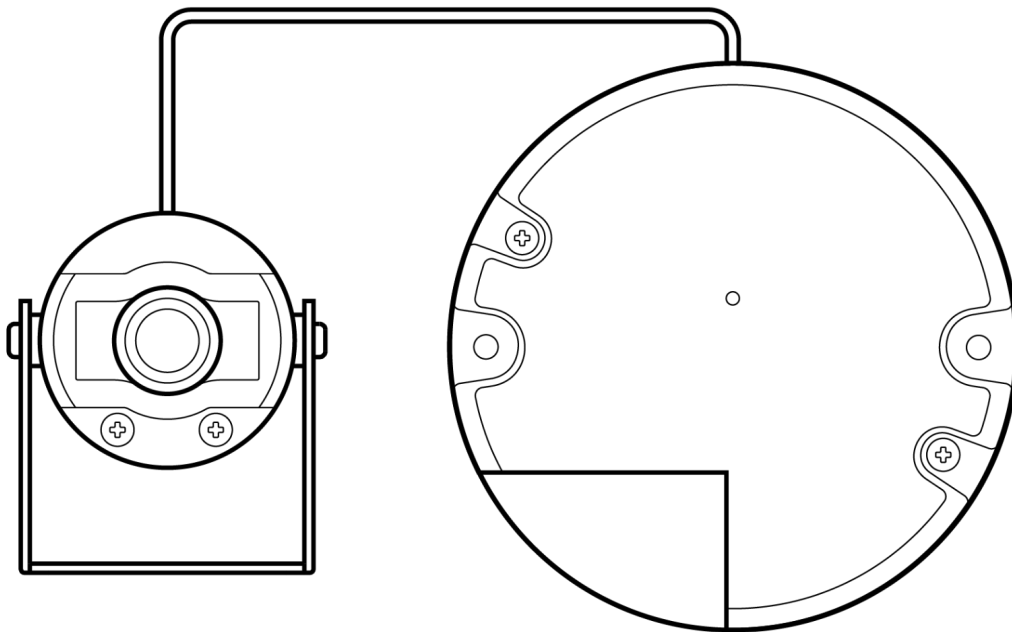


CM41-S Mini Split Camera



Document

Document Details

v1.1 (20230301)

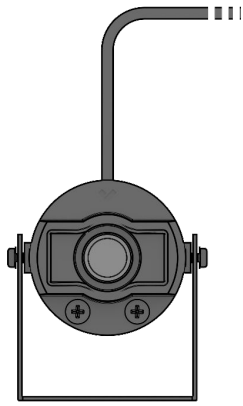
(v1.0 first published 20220415)

Firmware

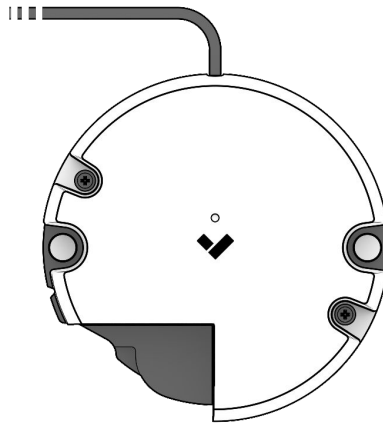
Firmware version can be verified on
Verkada Command command.verkada.com.



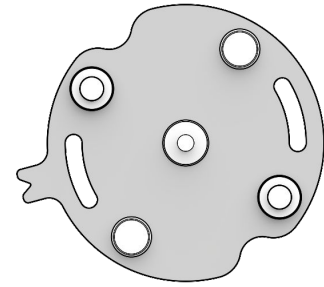
What's in the box



CM41-S Camera module



CM41-S Hub



Mount plate



2 Camera module mounting screws
& 2 Hub mounting screws

What you'll need

- A working Internet connection
- 802.3af Power over Ethernet (PoE) switch, or a PoE injector
- A smartphone or laptop
- A Phillips screwdriver or power drill with a Phillips driver bit
- 1/8-inch (3mm) drill bit for pilot holes

Connect

Connect the camera to an 802.3af Power over Ethernet port on your network.

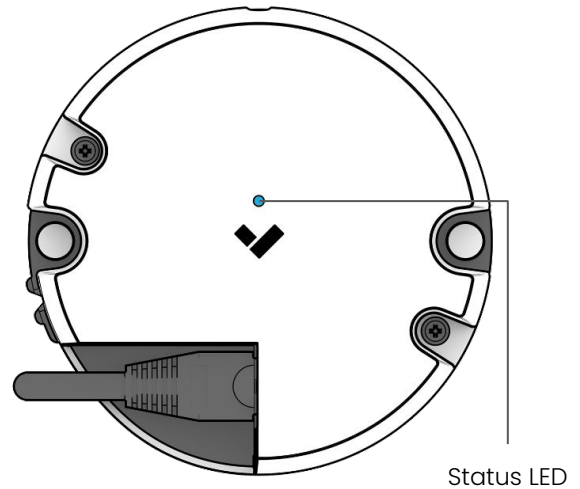
For camera registration and setup, proceed to www.verkada.com/start.



LED Behaviors

Regular operation

- **Solid Orange**
Camera is on and booting up.
- ☀️ **Flashing Orange**
Camera is updating firmware.
- **Solid Blue**
Camera is running, connected, and recording data.



Network errors

The LED will flash in a specific order, depending on the error state. You will see 1 blue flash, followed by a number of orange flashes.

1 Blue, 1 Orange

Camera is connected to the PoE, but unable to connect to the Switch.

1 Blue, 2 Orange

Camera has not received an IP address.

1 Blue, 3 Orange

Camera has detected duplicate IP addresses on the LAN.

1 Blue, 4 Orange

Camera is not able reach the router.



Example of **1 Blue, 5 Orange** flash sequence

1 Blue, 5 Orange

Camera is not able to resolve Verkada hostnames.

1 Blue, 6 Orange

Camera is not able to receive a response from the NTP Server.

1 Blue, 7 Orange

Camera is not able to certify the SSL connection, likely due to SSL inspection.

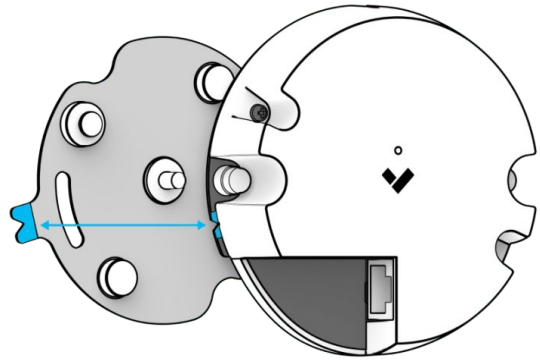
1 Blue, 8 Orange

Verkada endpoints are not reachable after boot up.

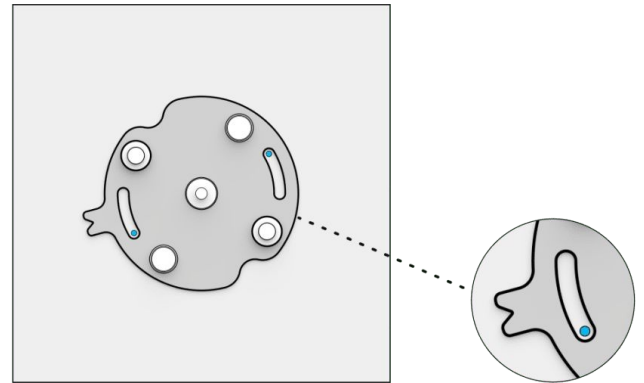
Installation

Hub Mounting

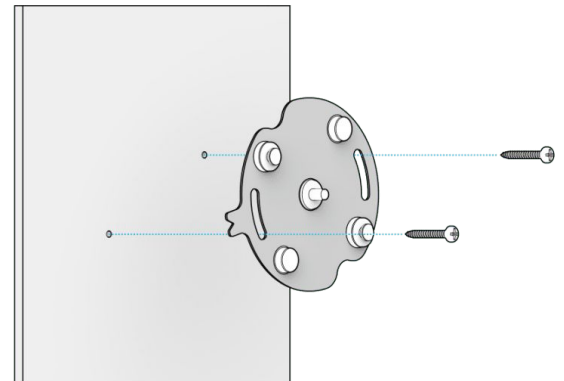
1. Ensure the blue notches on the hub and the mount plate are aligned, and pull to remove the mount plate.



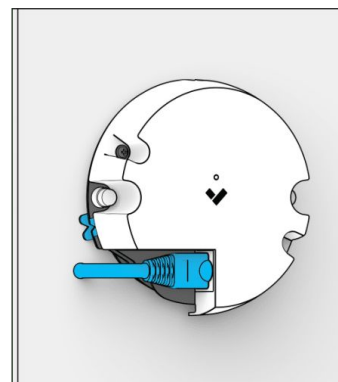
2. Use the mount plate to mark holes for mounting screws.



3. Drill 1/8 inch pilot holes. Drive the hub mounting screws through the mount plate directly into the pilot holes.



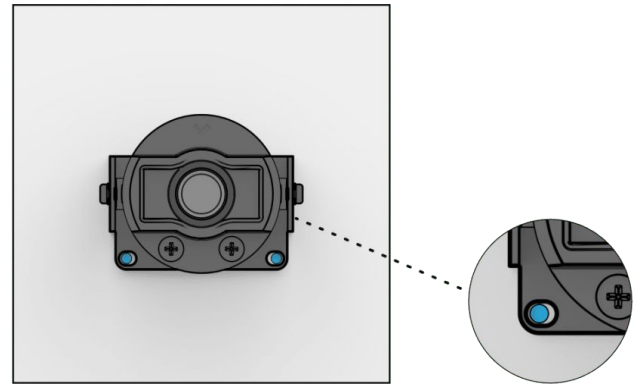
4. Connect the RJ45 cable. Line up the blue notches on the mount plate and the hub and place the hub over the center pin on the mount plate.



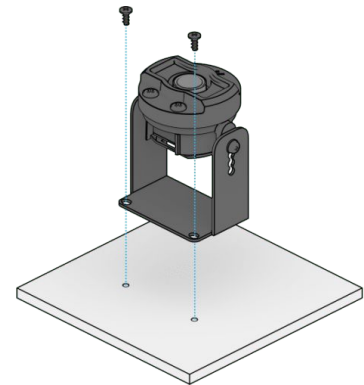
Installation

Lens Module Mounting

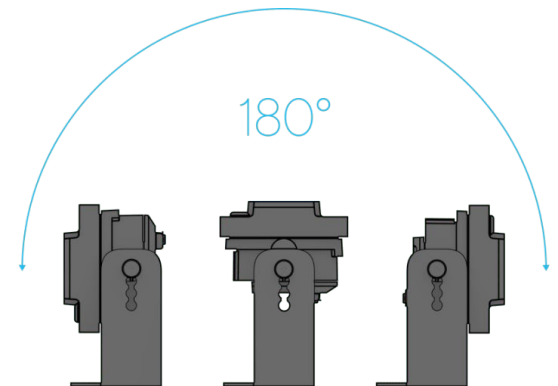
1. Place the camera module in the desired mounting position. Use the camera module mounting bracket to mark holes for mounting screws.



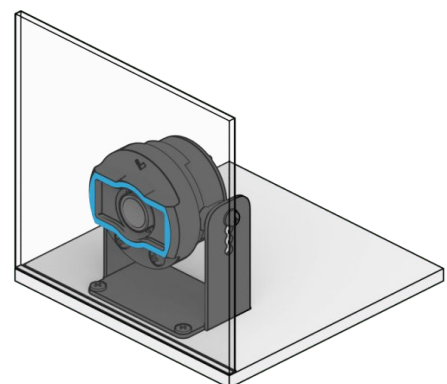
2. Drill 1/8 inch pilot holes. Drive the camera module mounting screws through the mounting bracket directly into the pilot holes.



3. Adjust the camera module to the desired position and viewing angle.



4. For installs against a transparent window, ensure that the flat portion of the lens rubber is pressed firmly against the surface of the window.



CM41-S Compliance

Caution	<ol style="list-style-type: none">1. Maintenance and repair work must always be carried out by qualified technical personnel. Disconnect power from the unit when performing a maintenance task.2. Wiring methods used for the connection of the equipment to earth shall be in accordance with the National Electrical Code, ANSI/ NFPA 70, and the Canadian Electrical Code, Part I, CSA C22.1.3. The product must be installed and protected in a location that is not easily accessible, and is away from impacts or heavy vibration.4. The camera is only to be connected to PoE networks without routing to outside plants.5. If powered by a power adapter, the adapter should be properly grounded.6. Please contact certified dealers for power adapters.
PoE Adapter	To reduce potential safety issues, only use the PoE adapter provided with the product, a replacement PoE adapter provided by Verkada, or a PoE adapter purchased as an accessory from Verkada.



Appendix

Support

Thank you for purchasing this Verkada product. If for any reason you're experiencing issues or need assistance, please contact our 24/7 Technical Support Team immediately.

Sincerely,
The Verkada Team
verkada.com/support

