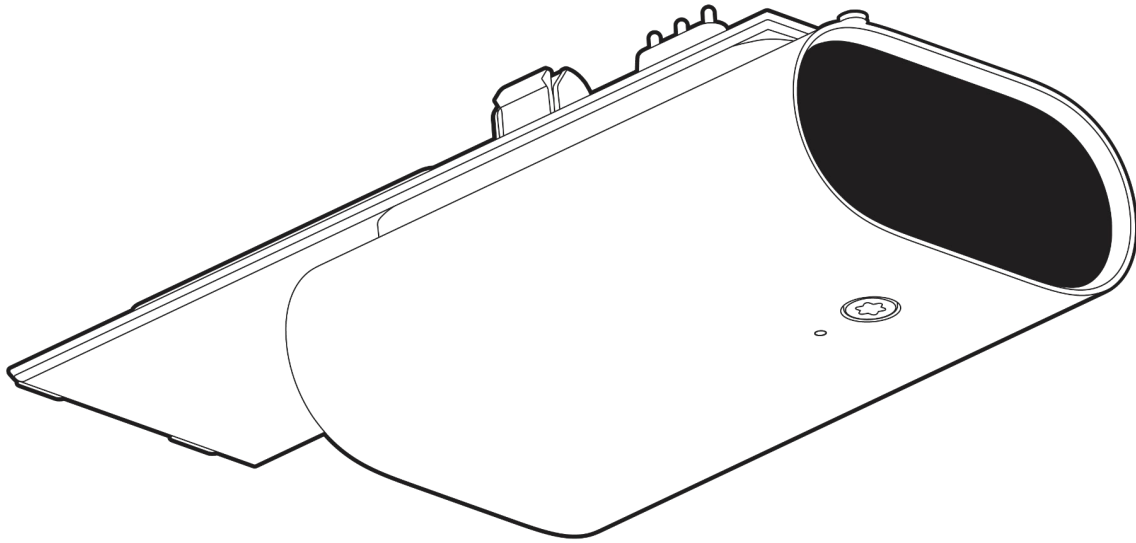


## **ACC-CAM-CB-IR-1**

IR Illuminator for Bullet Camera

## **ACC-CAM-CB-WL-1**

White Light Illuminator for Bullet Camera



## Document Details

### Version

**V1.0** 20260507

(V1.0 published 20260507)

### Firmware

Firmware version can be verified on Verkada Command [command.verkada.com](http://command.verkada.com).

### Product Models

This install guide pertains to models:

- ACC-CAM-CB-WL-1
- ACC-CAM-CB-IR-1

### Attention

This accessory is only compatible with CB63-E or CB63-TE.

© Copyright 2026 Verkada Inc. All rights reserved.

Verkada and the Verkada logo are registered trademarks or service marks of Verkada Inc. (“Verkada”). All other trademarks are the property of their respective owners.

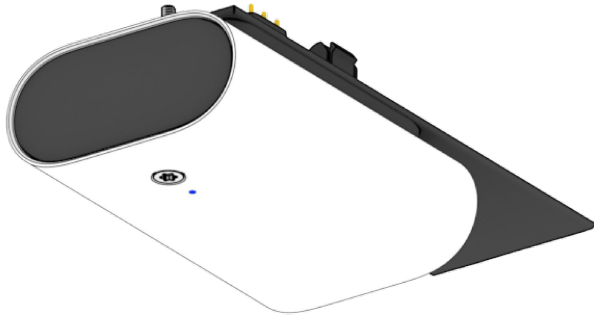
Verkada may make changes to this document at any time without notice. The information presented herein may be inaccurate or outdated, and Verkada is under no obligation to maintain it. ALL INFORMATION IS PROVIDED “AS-IS” AND WITHOUT ANY WARRANTIES, IMPLIED, EXPRESS, OR OTHERWISE. VERKADA DISCLAIMS LIABILITY FOR ALL DAMAGES, INCLUDING WITHOUT LIMITATION ANY DIRECT, INDIRECT, SPECIAL, INCIDENTAL, PUNITIVE, OR CONSEQUENTIAL DAMAGES, ARISING OUT OF USE OF THIS DOCUMENT.

Any intellectual property rights relating to Verkada products are and shall remain Verkada’s exclusive property. Use of any Verkada product is subject to Verkada’s end user agreement or other executed agreement with Verkada. No license, either expressed or implied, to use or distribute any Verkada product is granted under this document.

This document may not be sold, resold, licensed or sublicensed and may not be transferred without Verkada’s prior written consent. No part of this document may be reproduced in whole or in part without the express written consent of Verkada.



## What's in the Box



**Illuminator**



**T25 Security Torx L-key**

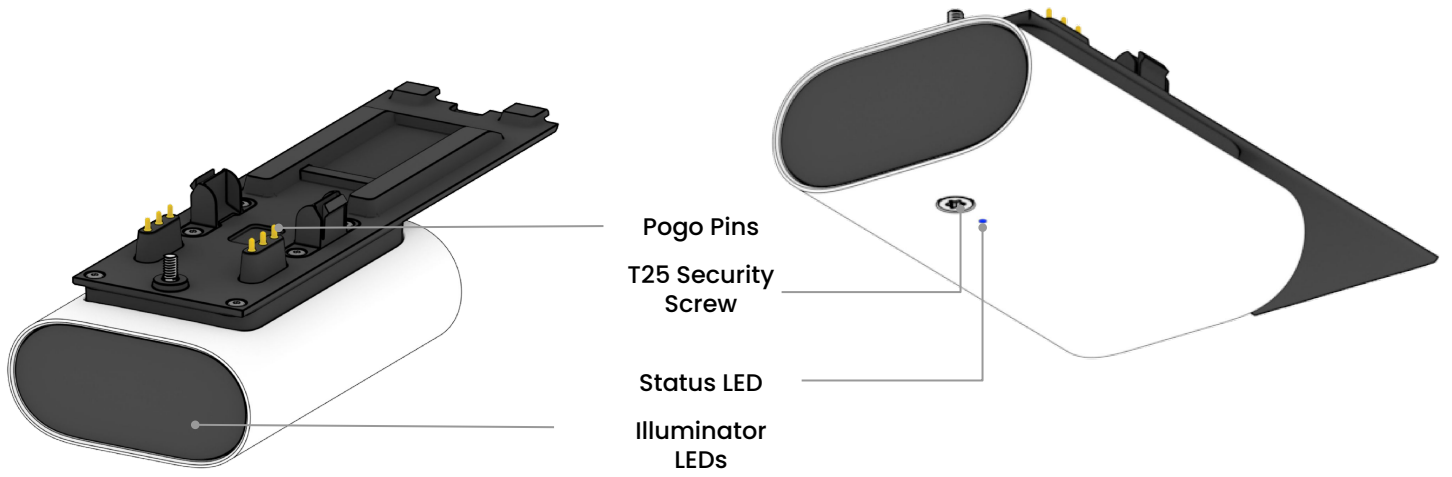
### What you'll need

- A compatible Verkada product (sold separately)
  - CB63-E
  - CB63-TE
- An 802.3bt PoE++ injector (sold separately)

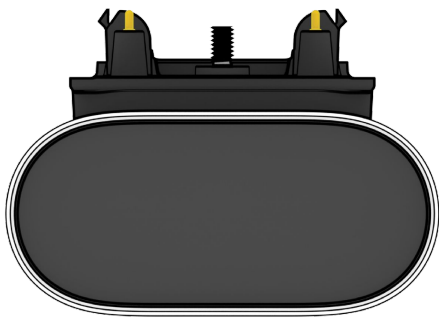
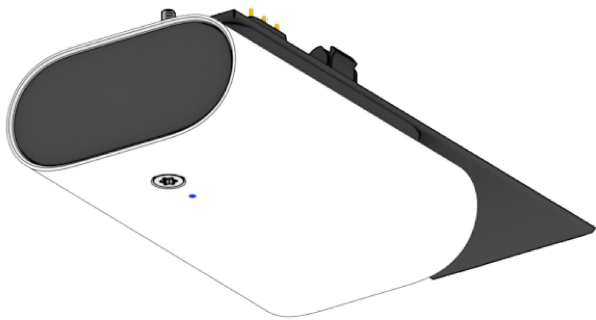
#### **Attention**

This accessory is only compatible with CB63-E or CB63-TE.

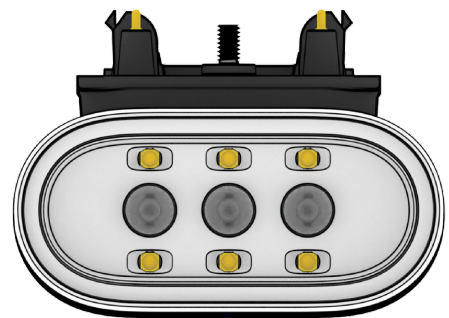
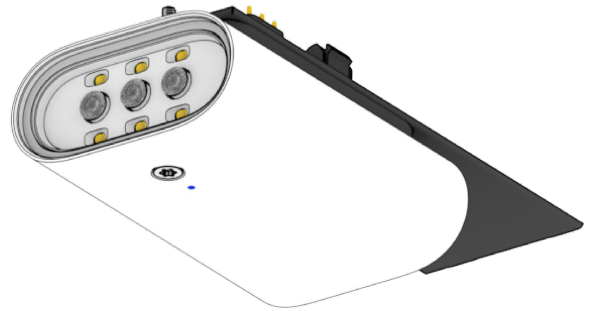
# Overview



**ACC-CAM-CB-IR-1**  
IR Illuminator for Bullet Camera



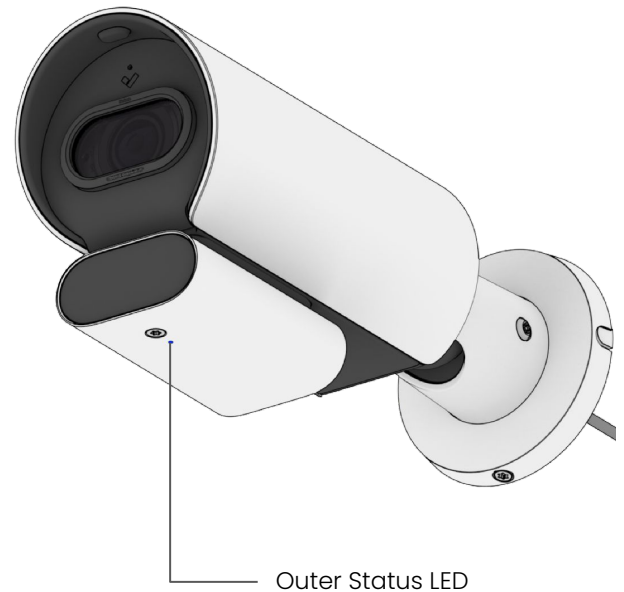
**ACC-CAM-CB-WL-1**  
White Light Illuminator for Bullet Camera



## LED Behavior

### General operation

- **Solid Blue**  
Camera and Illuminator are running, connected, and recording data.
- **Solid Orange**  
Camera and Illuminator are on and booting up.
- ☀ **Flashing Orange**  
Camera and Illuminator are updating firmware.
- ☀ **Flashing Yellow**  
Insufficient power, connect to an 802.3bt PoE++ power supply.
- ☀ **Flashing Red**  
Specific error, see "Network errors" below.
- **Solid Red**  
Contact support.



### Network errors

When the Illuminator accessory is on, an error will be communicated through the outer Status LED, which will flash a specific number of times depending on the error state.

#### 1 Red - No IP Address

Camera has not received an IP address.

#### 2 Red - Duplicate IP

Camera has detected duplicate IP addresses on the LAN.

#### 3 Red - No Gateway

Camera is not able reach the configured Gateway.

#### 4 Red - No Switch

Camera is connected with PoE, but unable to connect to the Switch.



Example of **5 Red** flashes on Outer Status LED

#### 5 Red - DNS error

Camera is not able to resolve Verkada hostnames.

#### 6 Red - NTP Error

Camera is not able to receive a response from the NTP Server.

#### 7 Red - Not Connected to Command

Verkada endpoints are not reachable after boot up.



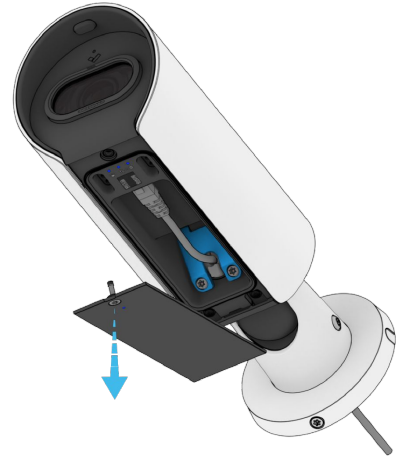
## Installation

### Mounting

Retrieve the T25 Security Torx L-key and unlock the door on the Bullet Camera.

Remove the door. Make sure the Ethernet cable is connected and weather sealing is done properly. See the Bullet Camera Install Guide if this step is not already completed.

Set aside the door in case it is needed in the future.



Retrieve the Illuminator.

Align the Illuminator to the opening of the Bullet Camera.



## Installation

### Mounting

Align the Illuminator's tabs and swing it into place. A *click* will indicate that it is attached.



Secure the T25 Security Screw using the included T25 L-key.

Once secured, peel off the security film covering the window.

The Status LED will turn orange to indicate the Accessory is connected and booting up in Install Mode.



Follow the remaining installation instructions for the Bullet Camera to position the view and lock the ball joint.


Ensure the Camera and Illuminator are connected to an 802.3bt PoE++ power source.

To turn off Install Mode and enable Accessory function, connect to Verkada Command and open the Settings page of the connected Bullet Camera.



# Appendix

## Compliance

<p><b>Caution</b></p>	<ol style="list-style-type: none"> <li>1. Maintenance and repair work must always be carried out by qualified technical personnel. Disconnect power from the unit when performing a maintenance task.</li> <li>2. Wiring methods used for the connection of the equipment to earth shall be in accordance with the National Electrical Code, ANSI/NFPA 70, and the Canadian Electrical Code, Part 1, CSA C22.1.</li> <li>3. The product must be installed and protected in a location that is not easily accessible and is away from impacts or heavy vibration.</li> <li>4. The device is only to be connected to PoE networks without routing to outside plants.</li> <li>5. If powered by a power adapter, the adapter should be properly grounded.</li> <li>6. Please contact certified dealers for power adapters.</li> </ol>
<p><b>FCC Compliance</b></p>	<p>This device complies with Part 15 of the FCC Rules. Operation is subject to the following two conditions: (1) This device may not cause harmful interference, and (2) this device must accept any interference received, including interference that may cause undesired operation.</p> <p>This equipment has been tested and found to comply with the limits for a Class B digital device, pursuant to Part 15 of the FCC Rules. These limits are designed to provide reasonable protection against harmful interference in a residential installation. This equipment generates, uses and can radiate radio frequency energy and, if not installed and used in accordance with the instructions, may cause harmful interference to radio communications. However, there is no guarantee that interference will not occur in a particular installation. If this equipment does cause harmful interference to radio or television reception, which can be determined by turning the equipment off and on, the user is encouraged to try to correct the interference by one of the following measures:</p> <ul style="list-style-type: none"> <li>-Reorient or relocate the receiving antenna.</li> <li>-Increase the separation between the equipment and receiver.</li> <li>-Connect the equipment into an outlet on a circuit different from that to which the receiver is connected.</li> <li>-Consult the dealer or an experienced radio/TV technician for help.</li> </ul>
<p><b>ISED Compliance</b></p>	<p>This device complies with ISED's licence-exempt RSSs. Operation is subject to the following two conditions: (1) This device may not cause harmful interference, and (2) this device must accept any interference received, including interference that may cause undesired operation.</p> <p>Le présent appareil est conforme aux CNR d'ISED applicables aux appareils radio exempts de licence. L'exploitation est autorisée aux deux conditions suivantes : (1) le dispositif ne doit pas produire de brouillage préjudiciable, et (2) ce dispositif doit accepter tout brouillage reçu, y compris un brouillage susceptible de provoquer un fonctionnement indésirable.</p>
<p><b>IEC 62368-1</b> (for ACC-CAM-CB-IR-1)</p>	<p>Use appropriate shielding or eye protection.</p> <div style="display: flex; align-items: center;">  <p><b>NOTICE</b> IR emitted from this product.</p> </div>



Appendix

## Support

Thank you for purchasing this Verkada product. If for any reason you're experiencing issues or need assistance, please contact our 24/7 Technical Support Team immediately.

Sincerely,  
The Verkada Team  
[verkada.com/support](https://verkada.com/support)

