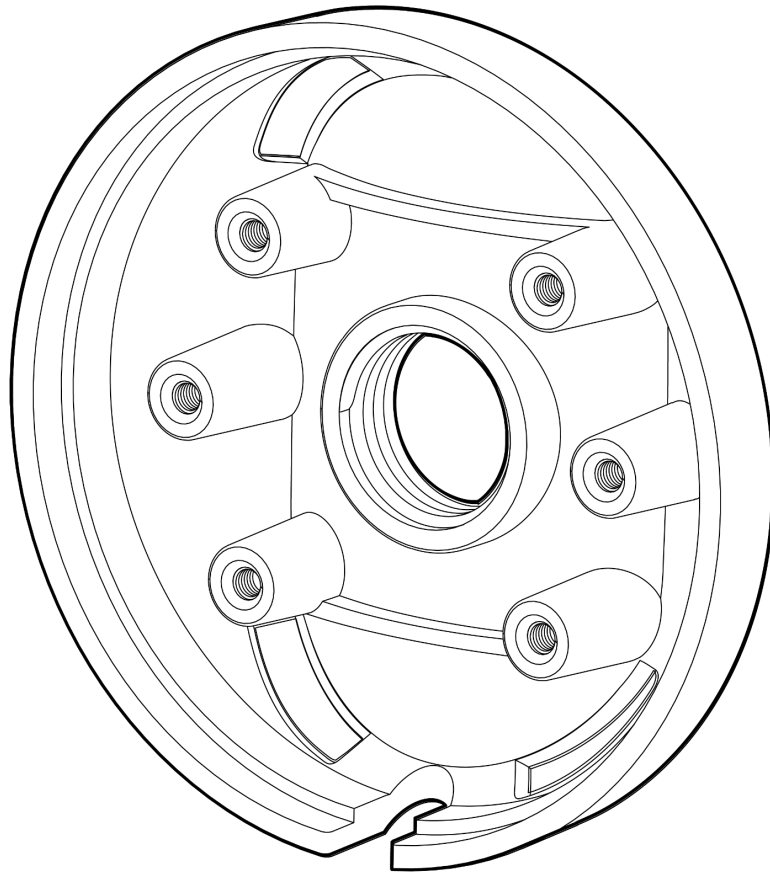


# **ACC-CAM-MNT-CBPOLE-1**

## Bullet Camera Pole Mount



Document

## Document Details

### Version

**V1.0** 20260526

(V1.0 published 20260526)

### Firmware

Firmware version can be verified on Verkada

Command [command.verkada.com](http://command.verkada.com).

### Product Models

This install guide pertains to models:

- ACC-CAM-MNT-CBPOLE-1

© Copyright 2026 Verkada Inc. All rights reserved.

Verkada and the Verkada logo are registered trademarks or service marks of Verkada Inc. (“Verkada”). All other trademarks are the property of their respective owners.

Verkada may make changes to this document at any time without notice. The information presented herein may be inaccurate or outdated, and Verkada is under no obligation to maintain it. ALL INFORMATION IS PROVIDED “AS-IS” AND WITHOUT ANY WARRANTIES, IMPLIED, EXPRESS, OR OTHERWISE. VERKADA DISCLAIMS LIABILITY FOR ALL DAMAGES, INCLUDING WITHOUT LIMITATION ANY DIRECT, INDIRECT, SPECIAL, INCIDENTAL, PUNITIVE, OR CONSEQUENTIAL DAMAGES, ARISING OUT OF USE OF THIS DOCUMENT.

Any intellectual property rights relating to Verkada products are and shall remain Verkada’s exclusive property. Use of any Verkada product is subject to Verkada’s end user agreement or other executed agreement with Verkada. No license, either expressed or implied, to use or distribute any Verkada product is granted under this document.

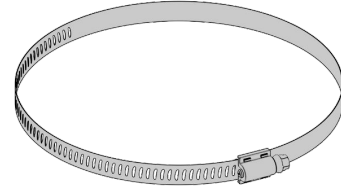
This document may not be sold, resold, licensed or sublicensed and may not be transferred without Verkada’s prior written consent. No part of this document may be reproduced in whole or in part without the express written consent of Verkada.



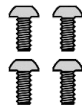
## What's in the Box



**Bullet Camera Pole Mount**



**Large Pole Straps (2 pcs)**  
For Pole Diameter: 84-152mm (3.3-6.0")  
Drive: 8mm Hex Socket



**M4 Machine Screws (4 pcs)**  
Length: 6mm Drive: #2 Phillips



**Small Pole Straps (2 pcs)**  
For Pole Diameter: 48-81mm (1.9-3.2")  
Drive: 8mm Hex Socket

## What you'll need

- A compatible Verkada product
- (optional) Drill with:
  - 8mm hex socket bit
  - Phillips #2 drill bit

## Compatible products

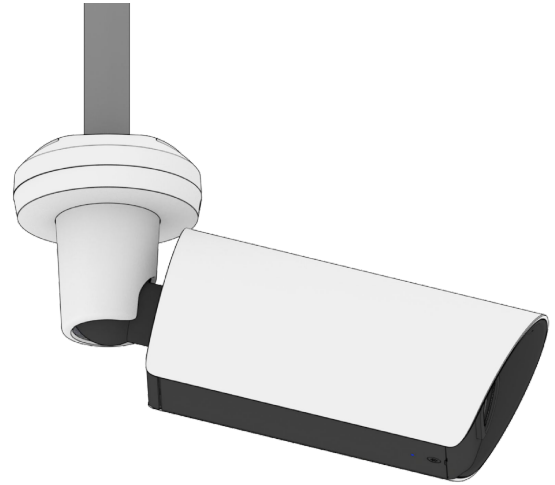
For a list of compatible products, please visit:  
<https://docs.verkada.com/docs/accessories-overview.pdf>

## Overview

### Install with Pole Straps



### Install using 3/4 Conduit Pipe



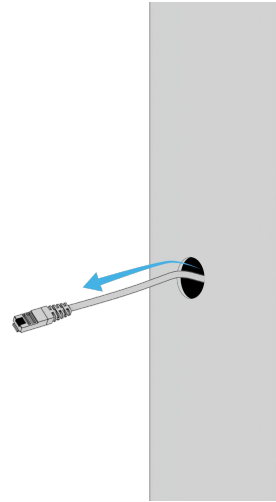
Using the pole straps enables users to hang a camera on a pole. This comes in two different sizes to ensure a proper fit on any size pole.

Using a conduit pipe allows for cameras to suspend in the air at any desired location. Pole straps are not needed here.

## Installation

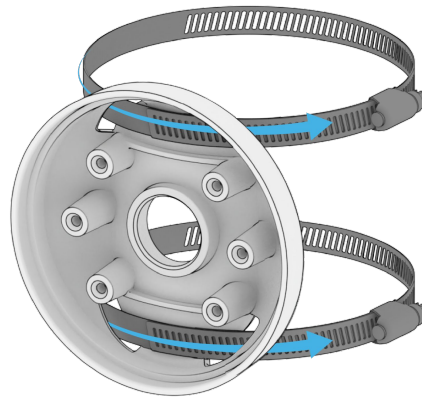
### Mounting on a Pole 1/2

If internally routing the cable through the pole, drill a hole into the pole large enough to accommodate the RJ45 connector.

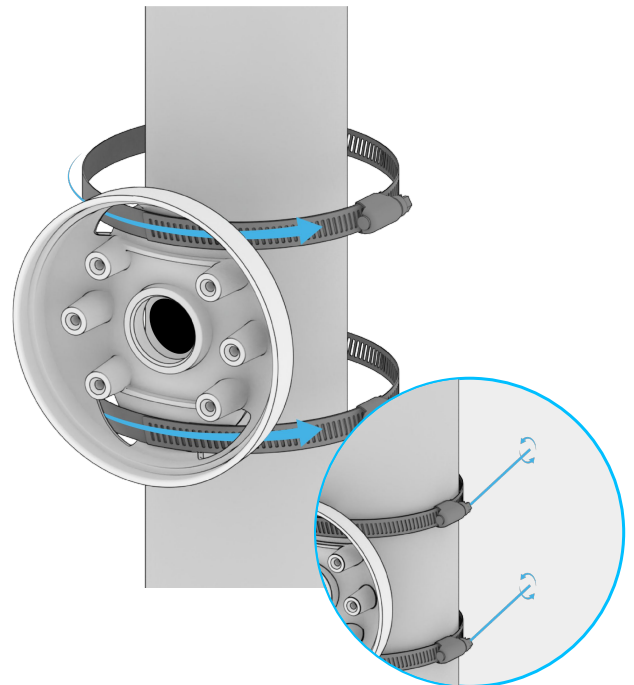


Choose which set of the provided pole straps to use based on the diameter of the pole.

Thread the chosen pole straps through the slots on the Pole Mount and loosely fasten it to the pole using a drill with an 8mm hex socket bit.



Align the center of the Pole Mount with the drilled hole (if present). Secure the mount by tightening the pole straps completely.

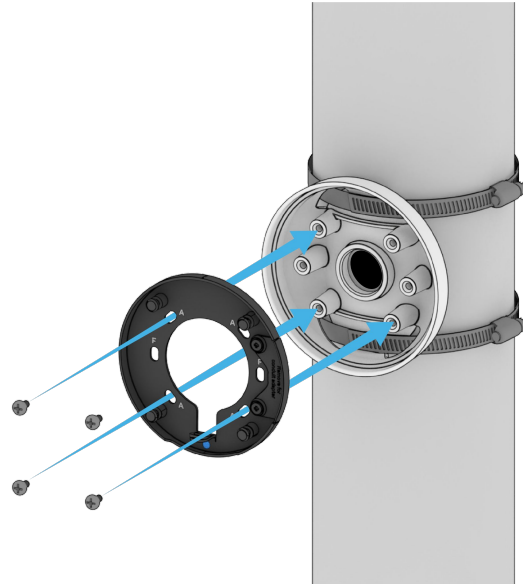


## Installation

### Mounting the Pole 2/2

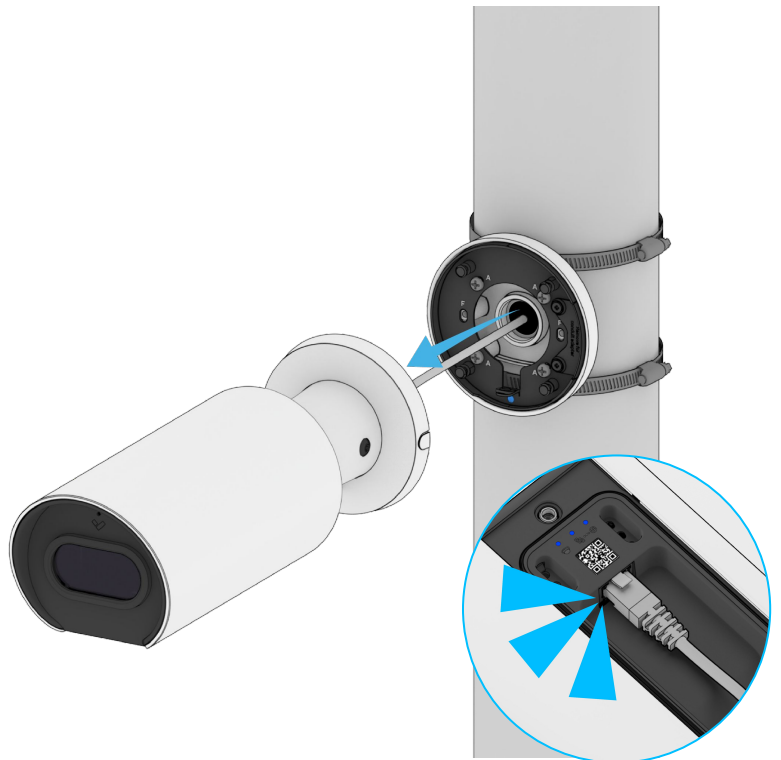
Once the Pole Mount is secured, align the Bullet Camera's Mount Plate to the A hole pattern on the mount.

Use a #2 Phillips screwdriver and the provided M4 screws to fasten the Mount Plate onto the Pole Mount.



Thread the RJ45 connector and cable through the holes on the Pole Mount and Mount Plate.

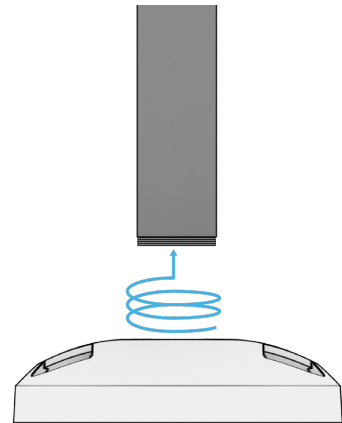
Follow the rest of the installation steps in the Bullet Camera Install Guide.



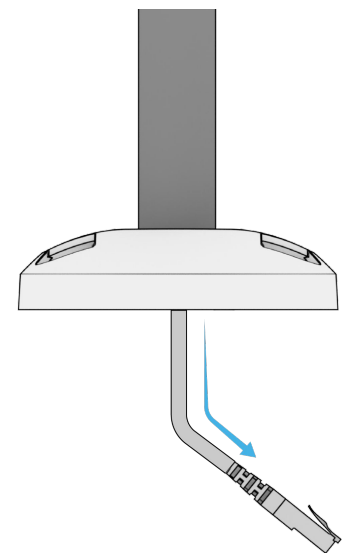
## Installation

### Mounting on 3/4" Conduit Pipe 1/2

Use the internal threads on the Pole Mount to screw it onto 3/4" Conduit Pipe.



Route the RJ45 cable through the opening in the Pole Mount with sufficient slack to connect to the camera.



## Installation

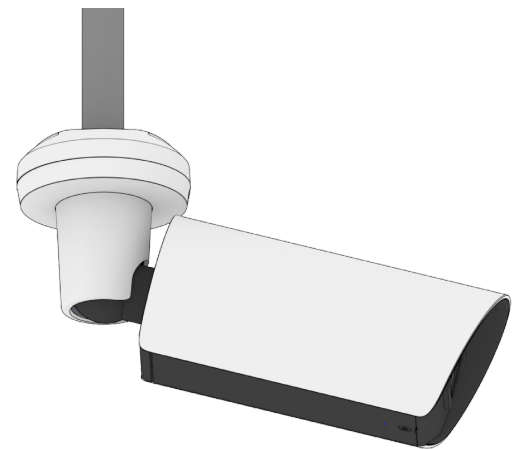
### Mounting on 3/4" Conduit Pipe 2/2

Align the Bullet Camera's Mount Plate to the A hole pattern on the mount.

Use a #2 Phillips screwdriver and the provided M4 screws to fasten the Mount Plate onto the Pole Mount.



Follow the rest of the installation steps in the Bullet Camera Install Guide.



Appendix  
**Support**

Thank you for purchasing this Verkada product. If for any reason you're experiencing issues or need assistance, please contact our 24/7 Technical Support Team immediately.

Sincerely,  
The Verkada Team  
[verkada.com/support](https://verkada.com/support)

